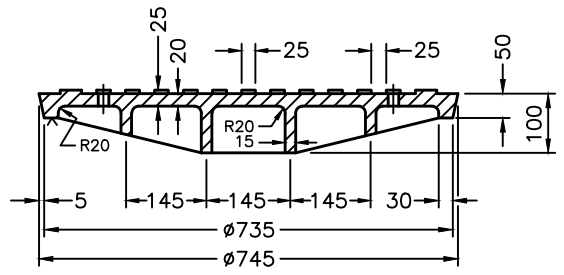
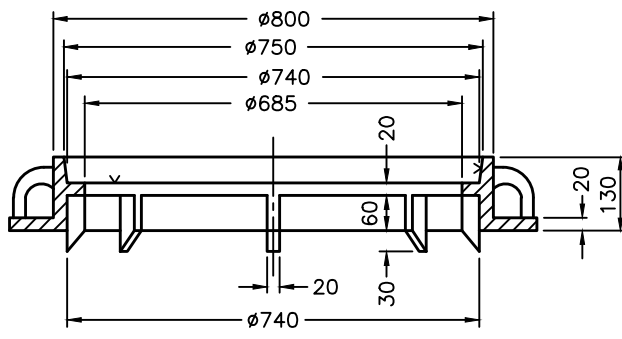


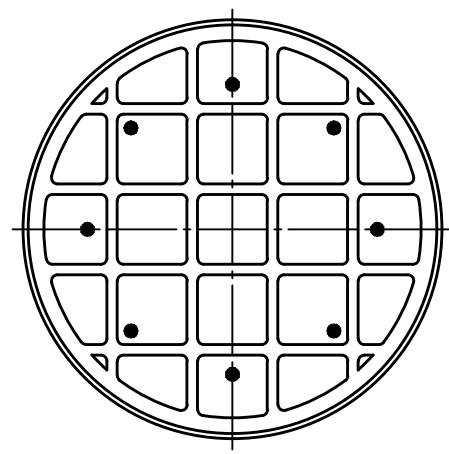
**COVER PLAN**



**SECTION B-B**



**SECTION A-A**



**COVER BOTTOM VIEW**

**NOTE:**

- 1 As an option, frame may be completely round.
- A All dimensions are in millimetres unless otherwise shown.

ONTARIO PROVINCIAL STANDARD DRAWING

CAST IRON, CIRCULAR FRAME WITH  
CIRCULAR 745mm COVER  
FOR MAINTENANCE HOLES

Nov 2018

Rev 4



**OPSD 401.020**