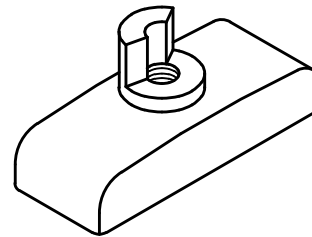
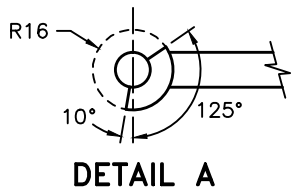
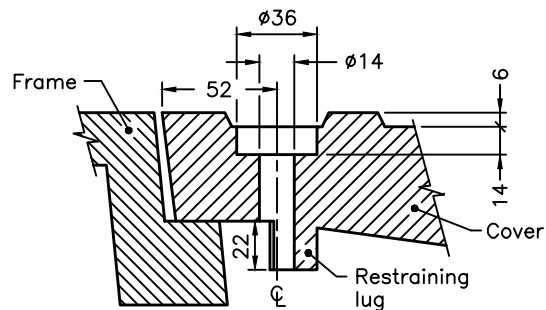
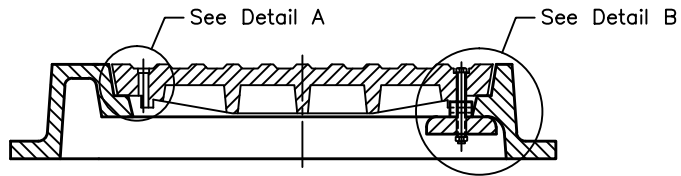
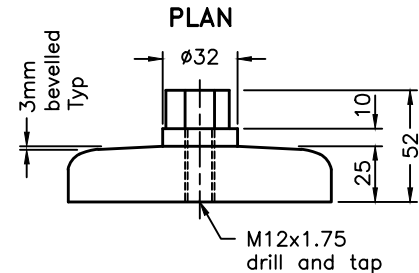
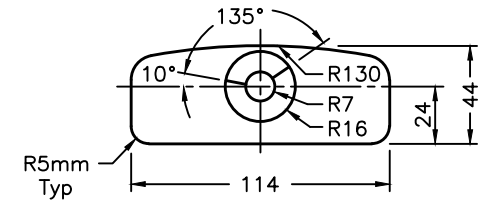


DETAIL B



LOCKING LUG



NOTES:

A Locking bolt shall be securely tightened.

B All dimensions are in millimetres unless otherwise shown.

ONTARIO PROVINCIAL STANDARD DRAWING

Nov 2018

Rev 4

CAST IRON
CIRCULAR LOCKING COVER
FOR MAINTENANCE HOLES



OPSD 401.060