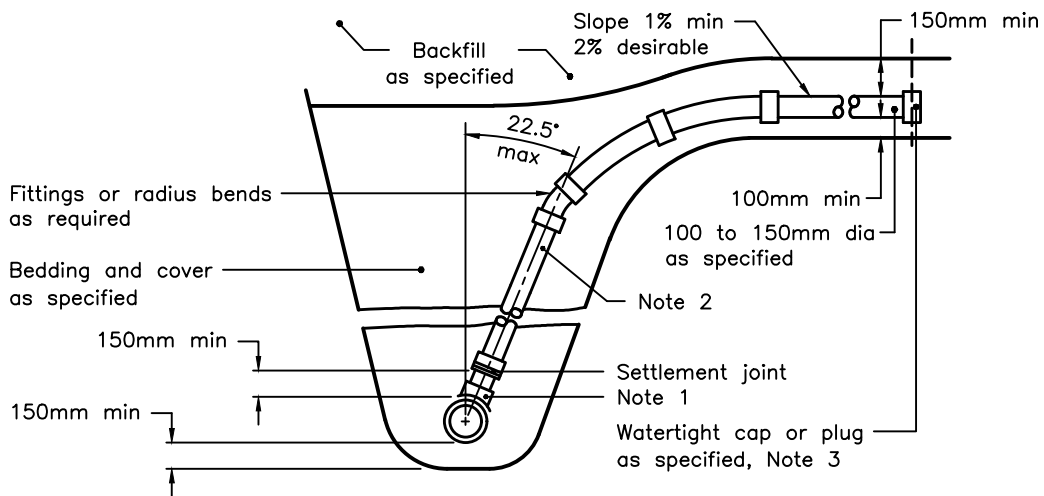


CONNECTION WITHOUT VERTICAL RISER



CONNECTION WITH VERTICAL RISER

NOTES:

- 1 Sewer service connections to the main pipe sewer shall be made using factory made tees, strap-on-saddles, or other approved saddles.
- 2 Vertical risers shall be as specified.
- 3 Cap or plug at property line shall be adequately braced.
- A Maintenance holes shall be used at the main sewer to connect service connections greater than 200mm.
- B For new construction, saddles shall be installed on the main pipe before that pipe is laid.
- C Approved cut-in tool shall be used for field made connections.
- D All dimensions are in millimetres unless otherwise shown.

ONTARIO PROVINCIAL STANDARD DRAWING

Nov 2021

Rev 4

**SEWER SERVICE CONNECTIONS
FOR MAIN PIPE SEWER**



OPSD 1006.010