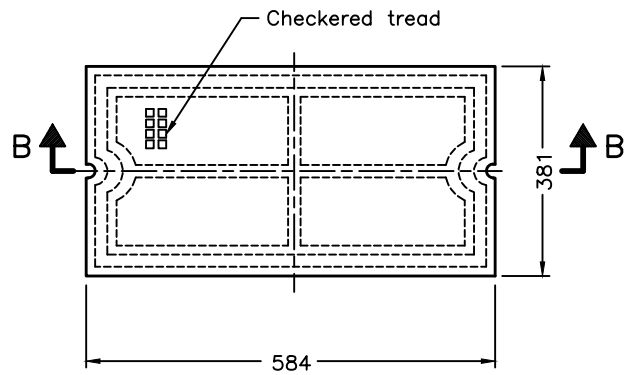
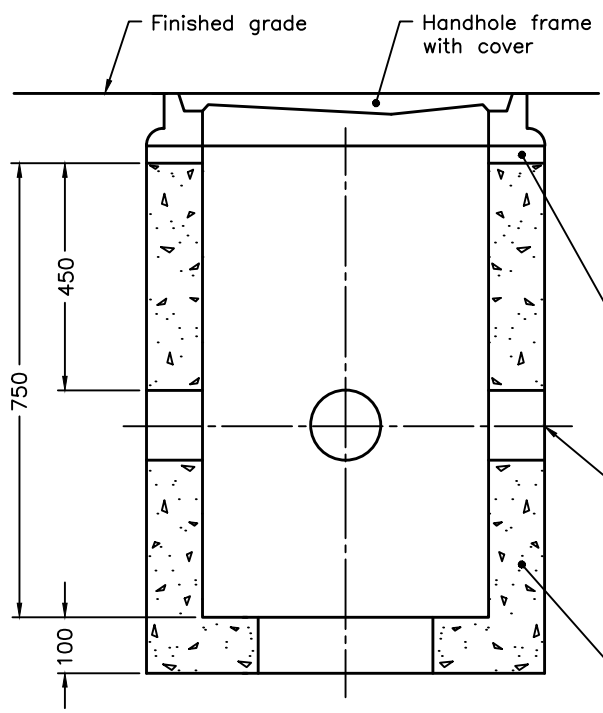


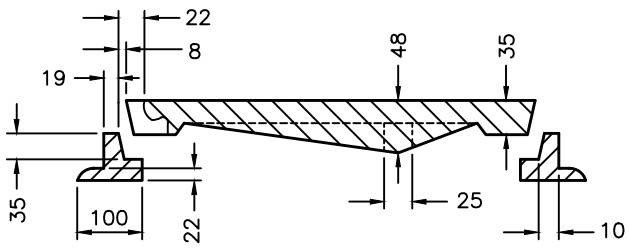
PLAN



PLAN COVER



SECTION A-A



SECTION B-B

10-75mm cement mortar for adjustment

4-125mm dia holes for duct entry, Note 1

Precast concrete handhole

NOTES:

- 1 For installation of ducts see OPSD 2123.030.
- A For general installation details see OPSD 2117.020.
- B All dimensions are in millimetres unless otherwise shown.

ONTARIO PROVINCIAL STANDARD DRAWING

Nov 2017 Rev 0

ELECTRICAL HANDHOLE
 PRECAST CONCRETE WITH COVER
 300 x 500mm



OPSD 2112.050