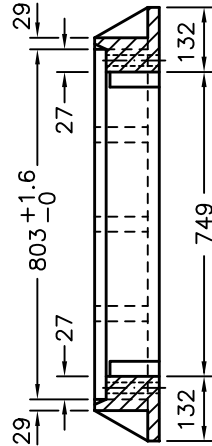
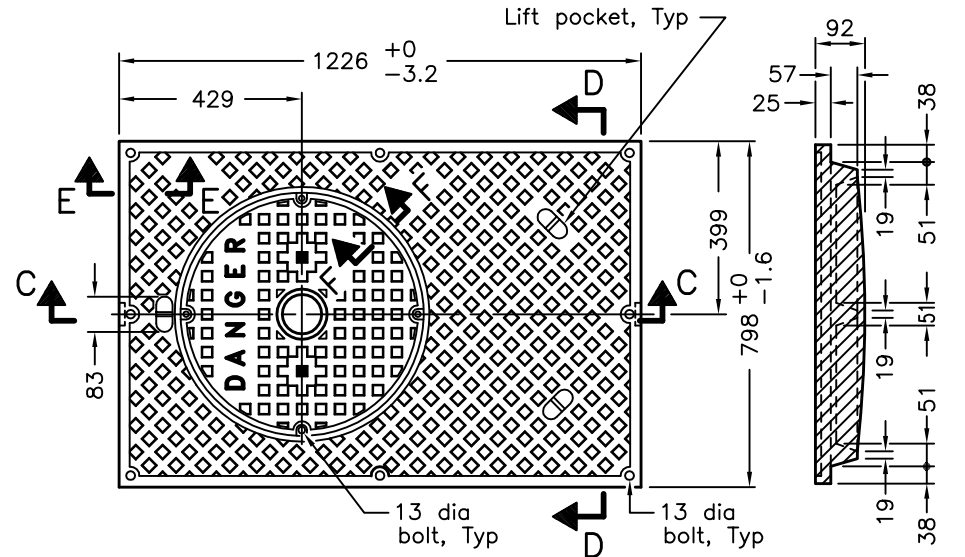


FRAME PLAN

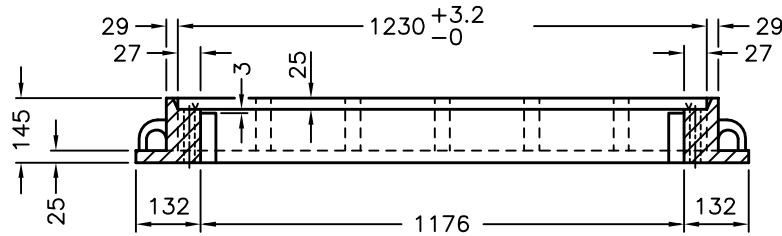


SECTION A-A

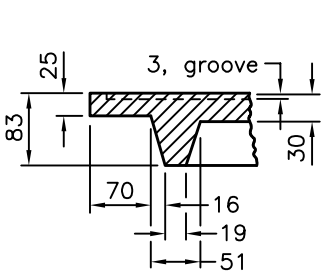


LARGE COVER PLAN

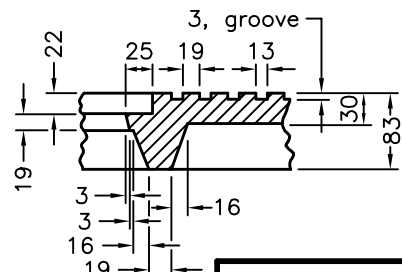
SECTION D-D



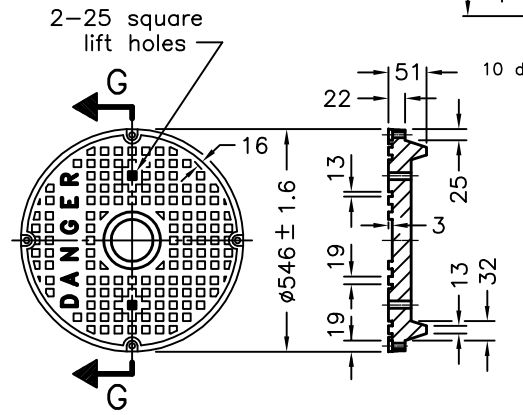
SECTION B-B



SECTION E-E

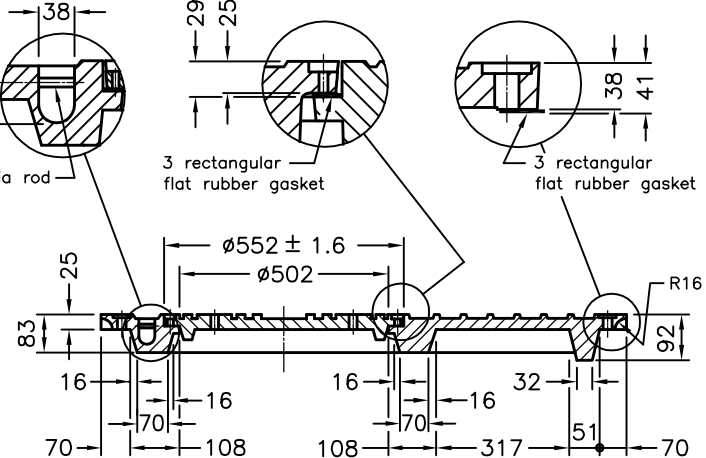


SECTION F-F



CIRCULAR COVER

SECTION G-G



SECTION C-C

NOTE:
 A All bolts to be 304 stainless steel.
 B All dimensions are in millimetres unless otherwise shown.

ONTARIO PROVINCIAL STANDARD DRAWING
**CAST IRON, RECTANGULAR FRAME
 WITH TWO PIECE COVER
 FOR METER AND VALVE CHAMBERS**

Nov 2019	Rev 5



OPSD 402.030