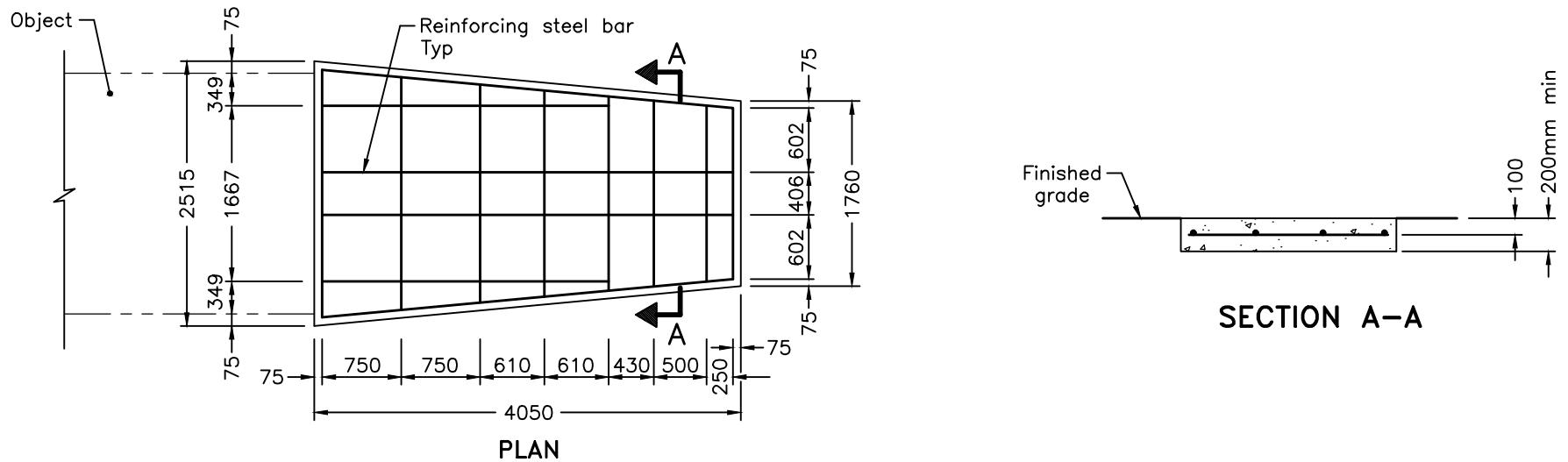



PLAN
CONCRETE PAD FOR TL-3 SYSTEM CONFIGURATION



PLAN
CONCRETE PAD FOR TL-2 SYSTEM CONFIGURATION

NOTES:

- A All reinforcing shall be 15M deformed reinforcing steel bars.
- B All dimensions are in millimetres unless otherwise shown.

| | | | | |
|--|--|---------------------|-------|---|
| ONTARIO PROVINCIAL STANDARD DRAWING | | Nov 2021 | Rev 1 |  |
| ENERGY ATTENUATOR, CRASH CUSHION EXTRA WIDE SYSTEMS | | ----- | | |
| | | ----- | | |
| COMPONENT – REINFORCED CONCRETE PAD | | OPSD 923.005 | | |