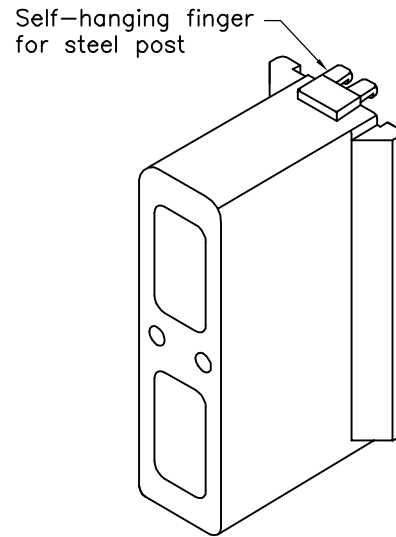
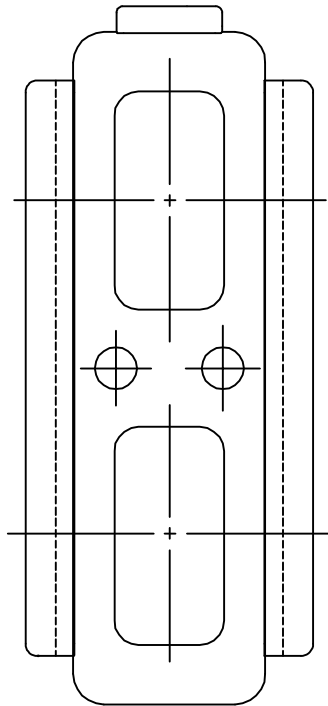


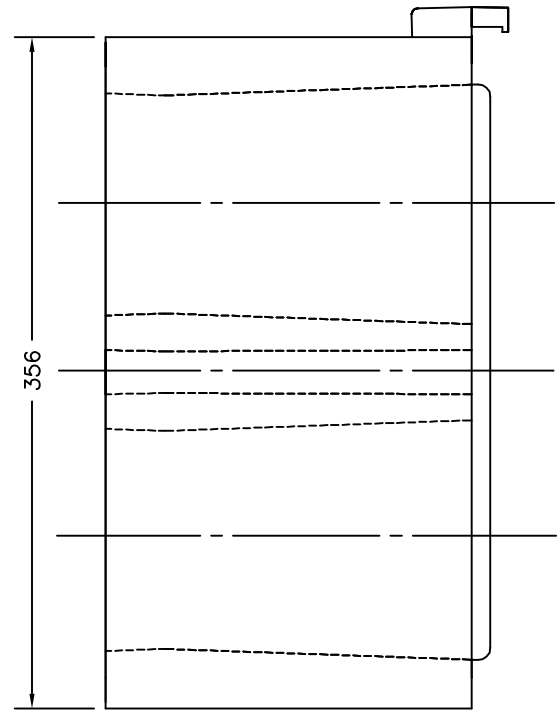
PLAN



ISOMETRIC



ELEVATION



SECTION

NOTES:

- A The component depicted is proprietary to Monroeville Industrial Molding.
- B All dimensions are in millimetres unless otherwise shown.

ONTARIO PROVINCIAL STANDARD DRAWING		Nov 2016	Rev 0	
GUIDE RAIL SYSTEM, STEEL BEAM 30cm POLYMER OFFSET BLOCK – P-BLOCK COMPONENT		-----		

		OPSD 912.129		