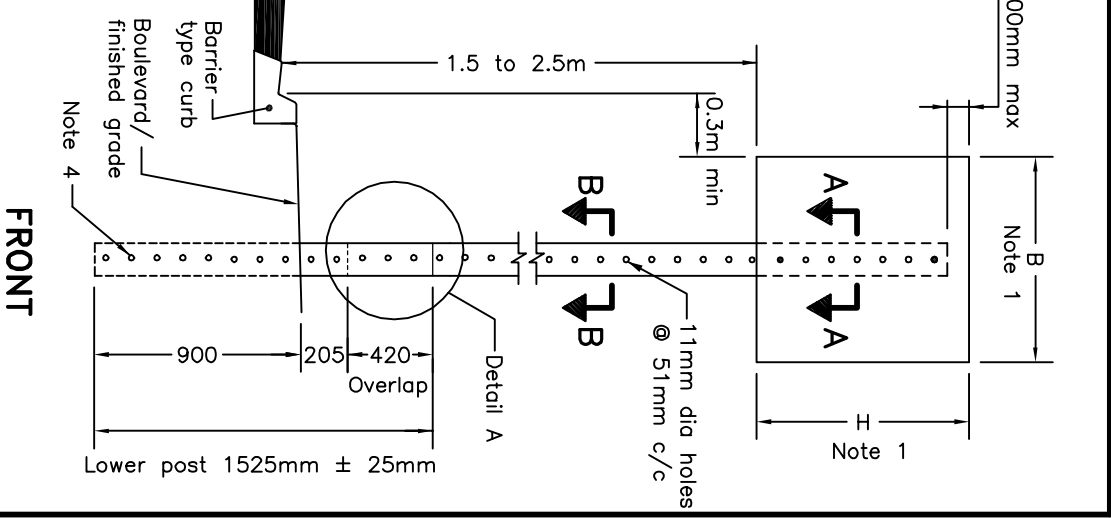
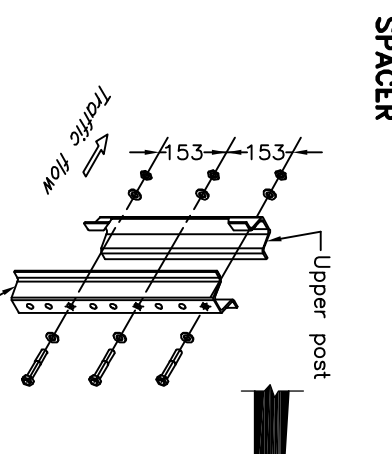


- NOTES:**
- 1 Sign dimensions shall be selected up to maximum sign width (B) of 90cm, up to maximum sign height (H) of 90cm, and the total sign area including tabs shall not exceed 0.56 square metres.
  - 2 Tolerance shall be ± 1.6mm.
  - 3 Tolerance for thickness shall be ± 0.38mm. All other tolerances shall be ± 0.8mm.
  - 4 Holes below grade in lower post shall be optional.
  - A This system may be installed on low speed roadways with barrier type curb and posted speeds less than 70 km/h.
  - B Posts shall be manufactured from either cold formed steel or hot formed steel.
  - C Cold formed steel shall have a minimum yield strength of 345 MPa and weigh a minimum of 3.36 kg/m.
  - D Hot formed steel shall have a minimum yield strength of 380 MPa and weigh a minimum of 3.02 kg/m.
  - E Post and hardware shall be hot dip galvanized after fabrication.
  - F All dimensions are in millimetres unless otherwise shown.



<b>ONTARIO PROVINCIAL STANDARD DRAWING</b>		Nov 2014	Rev 1
<b>SMALL SIGN SUPPORT SYSTEM</b>			
<b>NON-BREAKAWAY U-FLANGE POST SYSTEM</b>			
<b>INSTALLATION-SINGLE POST ASSEMBLY</b>			
<b>OPSD 990.110</b>			