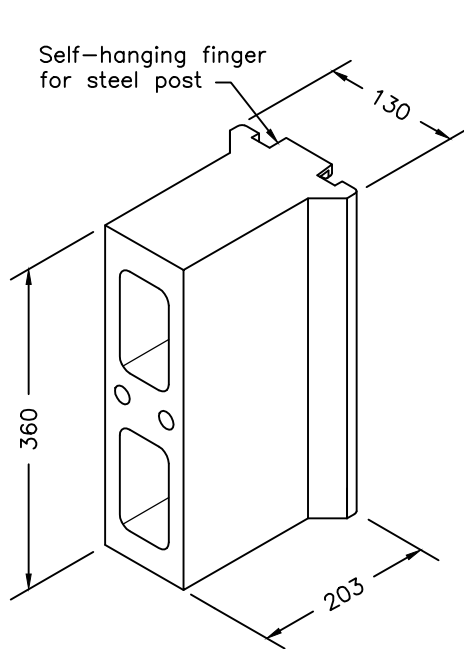
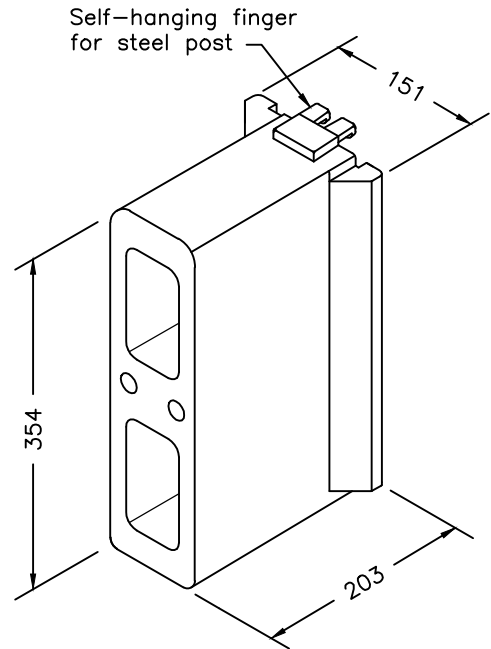


**KING OFFSET BLOCK**  
NOTE 1



**MONDO OFFSET BLOCK**  
NOTE 2



**P-BLOCK**  
NOTE 3

**NOTES:**

- 1 The component depicted is proprietary to Trinity Industries, Inc.
- 2 The component depicted is proprietary to Mondo Polymer Technologies.

- 3 The component depicted is proprietary to R.G. Steel Corp.
- A All dimensions are in millimetres unless otherwise shown.

ONTARIO PROVINCIAL STANDARD DRAWING

Nov 2021

Rev 4

**GUIDE RAIL SYSTEM, STEEL BEAM  
PLASTIC OFFSET BLOCKS  
COMPONENT**

-----  
-----  
-----



**OPSD 912.103**