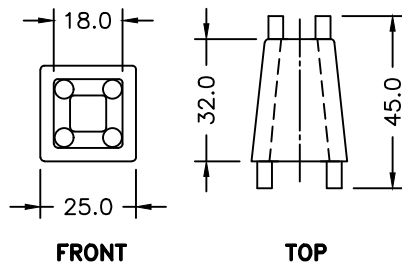
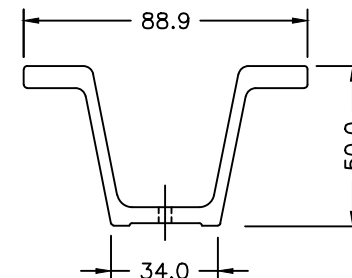


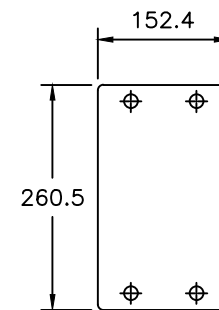
C BRACKET



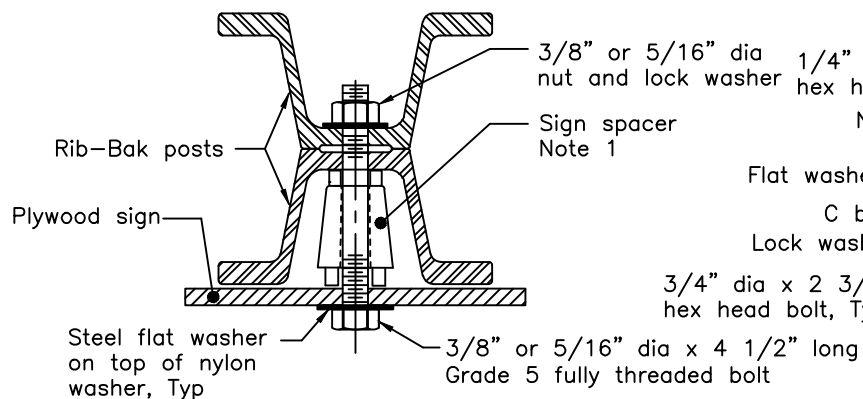
Note 1
SPACER FOR SIGN TO POST



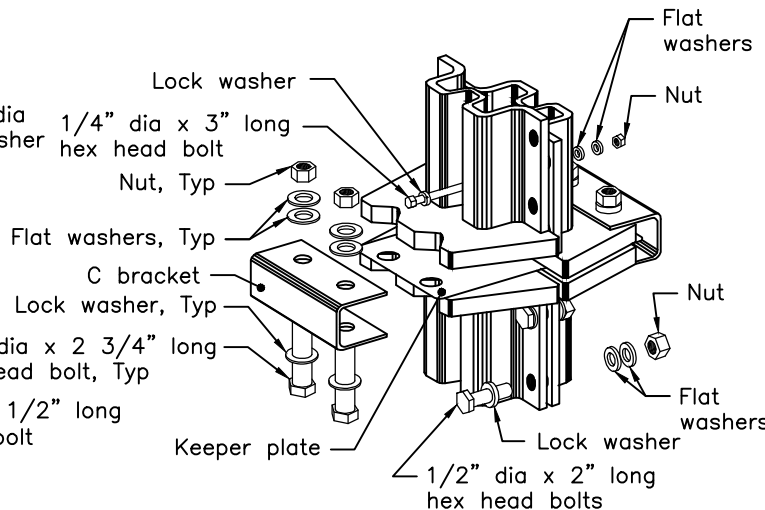
**5.95 kg/m (4 lb/ft)
RIB-BAK POST**



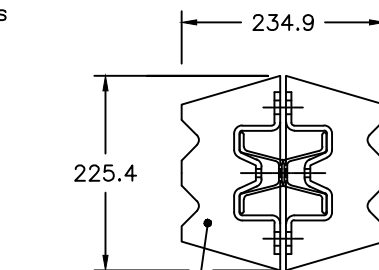
KEEPER PLATE



SIGN ASSEMBLY

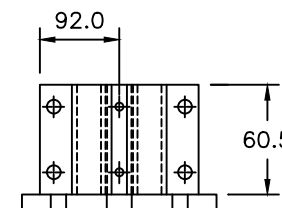


DETAIL A



TOP


19mm Steel



SIDE

NOTES:

- 1 Sign spacers shall be molded from Acrylonitrile Butadiene Styrene thermoplastic resin with an ultraviolet inhibitor finish.
- A The system depicted on this OPSD is a proprietary system and shall be installed according to manufacturer's specifications.
- B Posts shall be manufactured from hot rolled carbon steel bars according to Marion Steel Company Grade SP-80 having minimum yield strength of 552 MPa according to ASTM A499.
- C Posts shall be perforated with 9.5mm diameter holes @ 25mm c/c spacing.
- D Posts shall be hot dip galvanized after fabrication.
- E All dimensions are in millimetres unless otherwise shown.

ONTARIO PROVINCIAL STANDARD DRAWING		Apr 2022	Rev	1	
INTERMEDIATE SIGN SUPPORT SYSTEM SLIP-SAFE SUPREME RIB-BAK BREAKAWAY SYSTEM					
COMPONENTS					
OPSD 992.101					