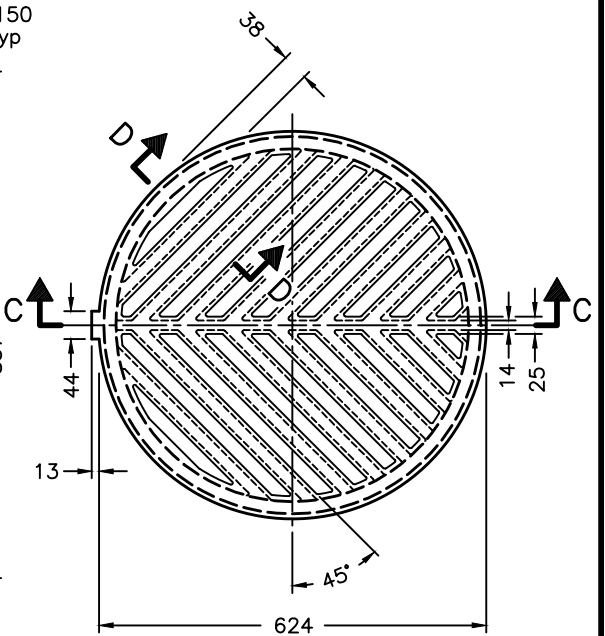
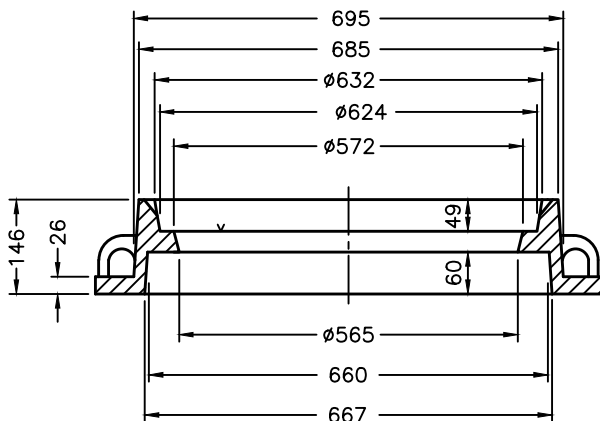


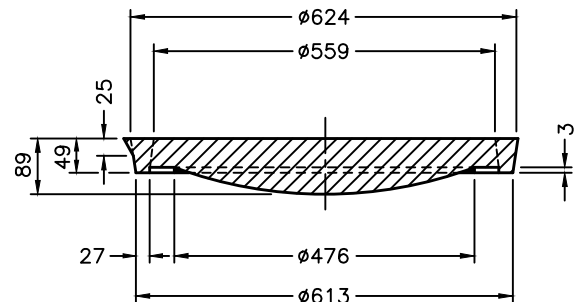
FRAME PLAN



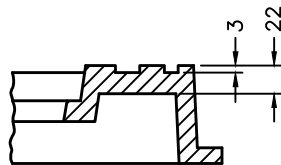
GRATE PLAN



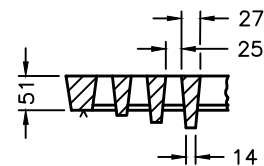
SECTION A-A



SECTION C-C



SECTION B-B



SECTION D-D

NOTES:

A All dimensions are in millimetres unless otherwise shown.

ONTARIO PROVINCIAL STANDARD DRAWING		Nov 2018	Rev 6	
CAST IRON, RAISED SQUARE FRAME WITH CIRCULAR FLAT GRATE FOR CATCH BASINS, HERRING BONE OPENINGS		-----		

OPSD 400.070				