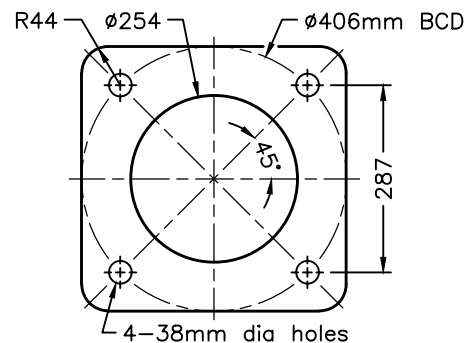
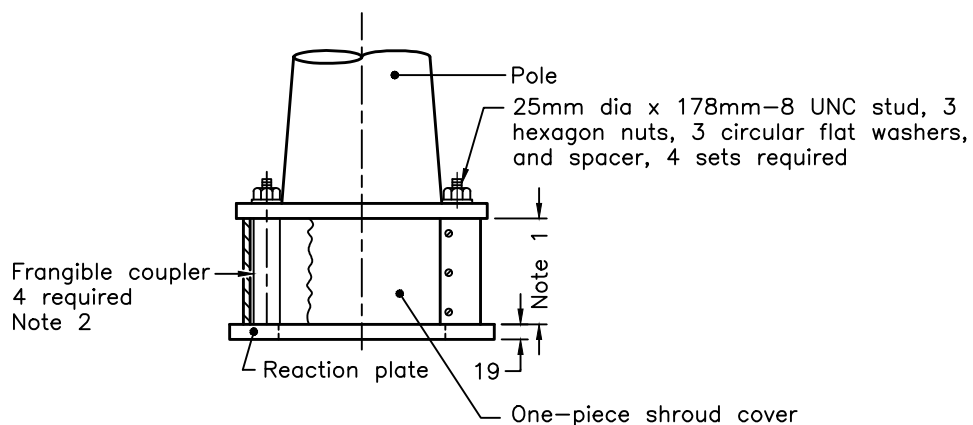


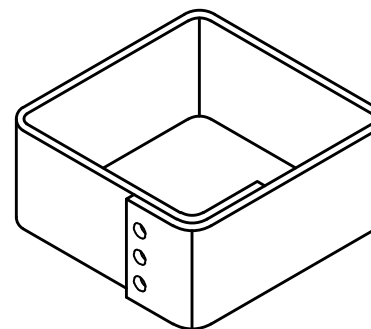
TOP VIEW



REACTION PLATE DETAIL




FRONT VIEW



ONE-PIECE SHROUD COVER

NOTES:

- 1 Height to suit coupler assembly.
- 2 Frangible couplers as specified.
- A All dimensions are in millimetres unless otherwise shown.

ONTARIO PROVINCIAL STANDARD DRAWING	Nov 2020	Rev	4	
FRANGIBLE BASES	-----			
OPSD 2428.010				