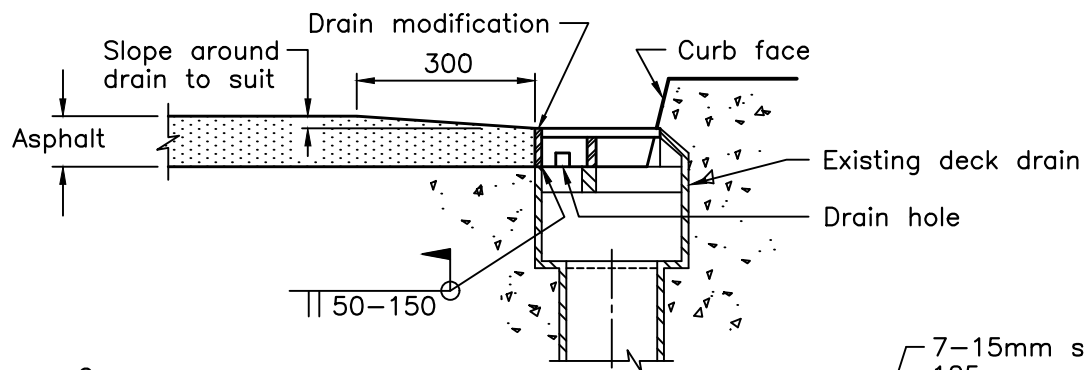
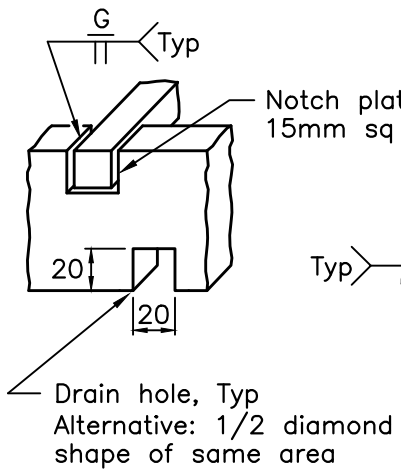


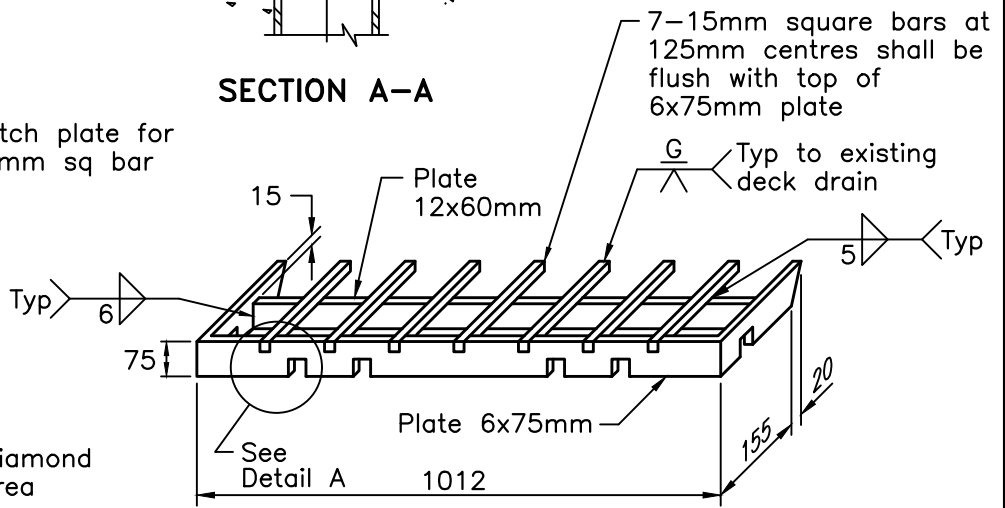
**PLAN**



**SECTION A-A**



**DETAIL A**



**ISOMETRIC VIEW OF MODIFICATION ASSEMBLY**

- NOTES:**
- A Steel shall be according to CSA G40.21, Grade 300W.
  - B After fabrication, modification assembly shall be hot-dip galvanized as specified.
  - C Dimensions of steel extension shall match existing dimensions.
  - D Field welds shall be painted with an approved zinc rich paint.
  - E All welding shall be of a low hydrogen classification and according to CSA W59.
  - F All dimensions are in millimetres unless otherwise shown.

<b>ONTARIO PROVINCIAL STANDARD DRAWING</b>	Nov 2022	Rev 3	
<b>DECK DRAINS</b>	-----		
WITH TRANSVERSE OR LONGITUDINAL BAR OPENINGS MODIFICATION FOR ADDITION OF ASPHALT TO EXISTING STRUCTURE	-----		
<b>OPSD 3340.250</b>			