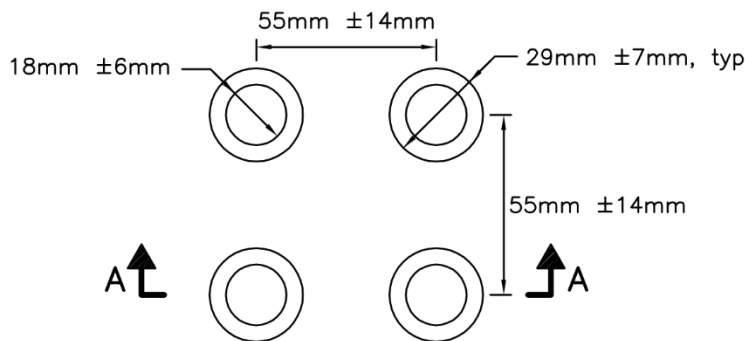


PLAN

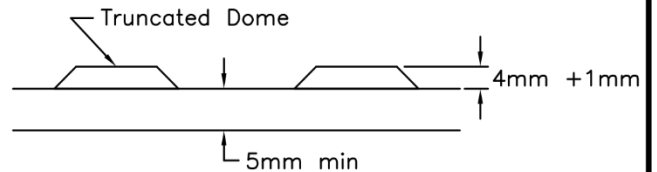


ELEVATION

Ribs as specified by manufacturer



**DETAIL A
TRUNCATED DOMES PLAN**



SECTION A-A

NOTES:

- 1 Vents shall be as specified by the manufacturer.
- 2 Length of plate may be increased to suit the curb depression width.
- 3 Material of plate shall be as specified in Contract Documents.
- A Adjacent cast iron plates shall be permanently connected using a locking mechanism and any hardware shall be hot dipped galvanized.
- B All dimensions are in millimetres unless otherwise shown.

ONTARIO PROVINCIAL STANDARD DRAWING

Nov 2019 | Rev | 1

**CONCRETE SIDEWALK RAMPS TACTILE
WALKING SURFACE INDICATORS
COMPONENT**



OPSD 310.039