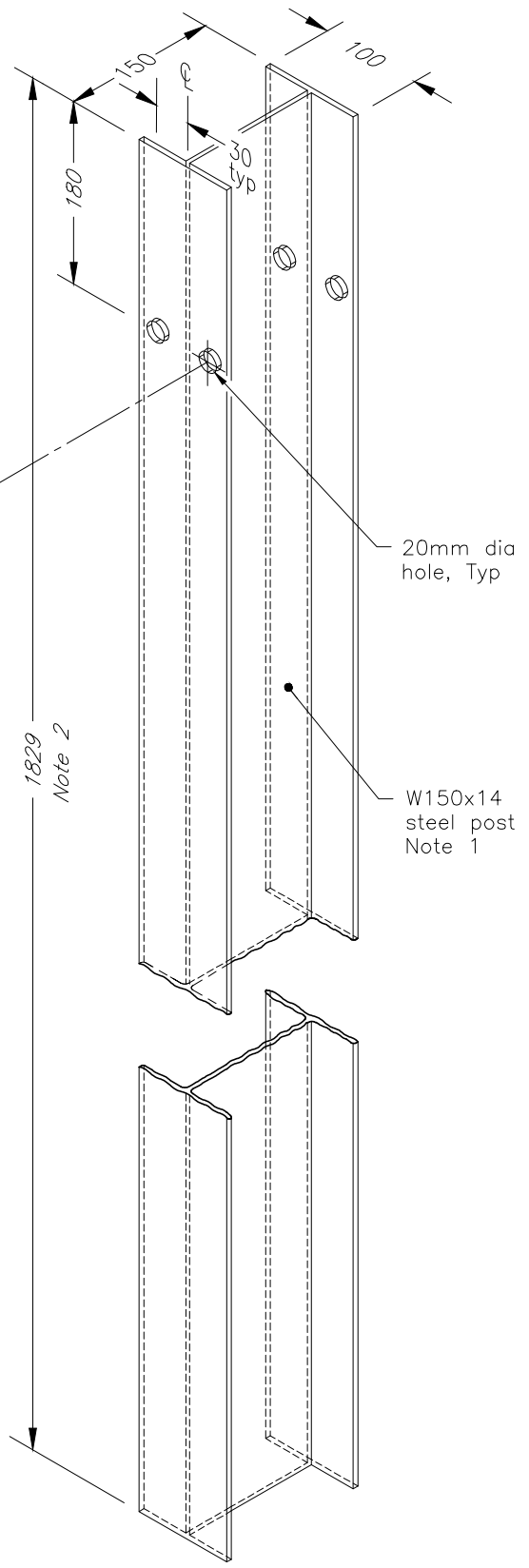



ROUTED WOODEN OFFSET BLOCK (SHOWN)
OR
PLASTIC OFFSET BLOCK
ACCORDING TO OPSD 912.103



POST DETAIL

NOTES:

- 1 Imperial size steel sections W6x9 or W6x8.5 are acceptable.
- 2 Post length shall be 2438mm when specified and when 2438mm long shall be stamped with a 50mm high number "8" in centre of web 50mm below top of post.
- A All dimensions are in millimetres unless otherwise shown.

ONTARIO PROVINCIAL STANDARD DRAWING		Nov 2023	Rev	1
GUIDE RAIL SYSTEM, STEEL BEAM				
M20 STEEL POST WITH OFFSET BLOCK COMPONENT				
		OPSD 912.127		