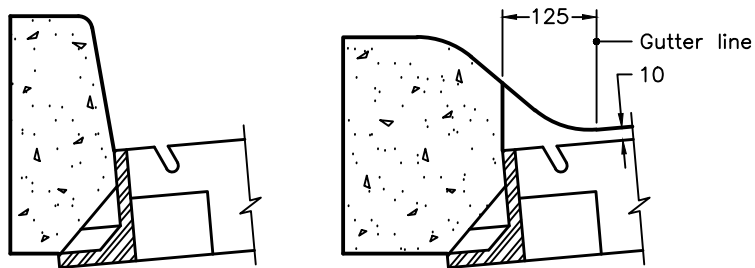


SECTION A-A

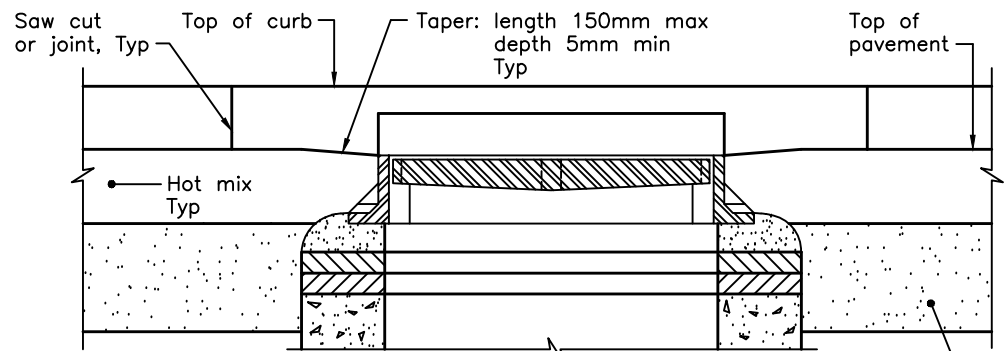
PLAN



BARRIER CURB

SEMI-MOUNTABLE or MOUNTABLE CURB WITH GUTTER

DETAILS



SECTION B-B

NOTE:

A All dimensions are in millimetres unless otherwise shown.

ONTARIO PROVINCIAL STANDARD DRAWING	Nov 2018	Rev 2	
CATCH BASIN FRAME WITH GRATE INSTALLATION AT CURB WITH GUTTER	-----		
OPSD 610.010			