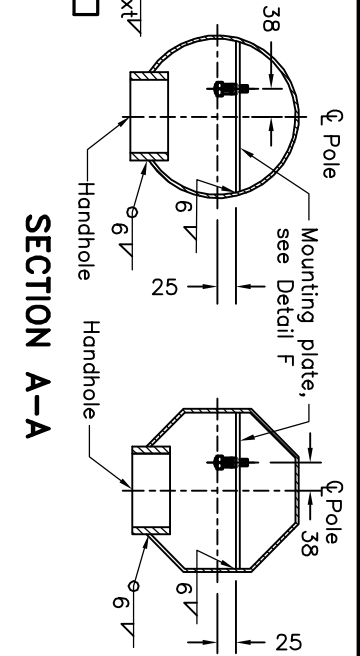
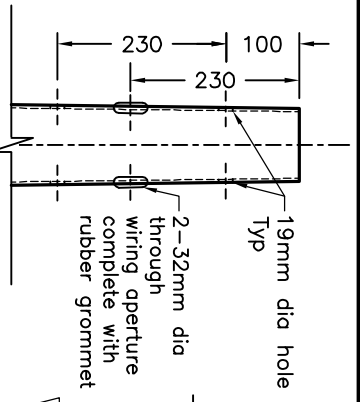


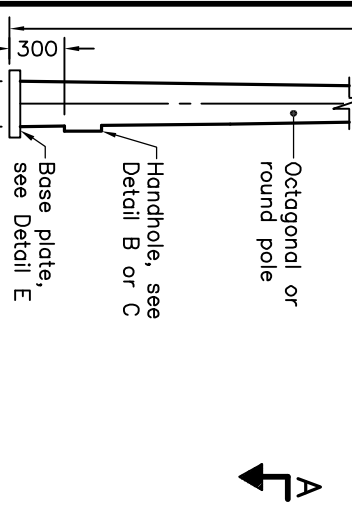
SECTION B-B



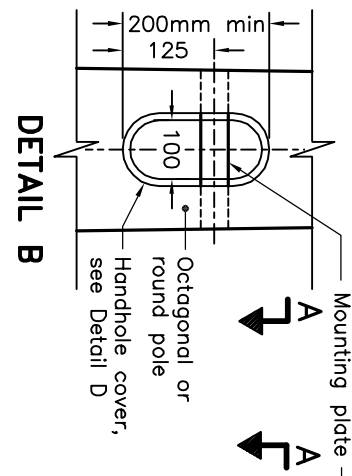
SECTION A-A



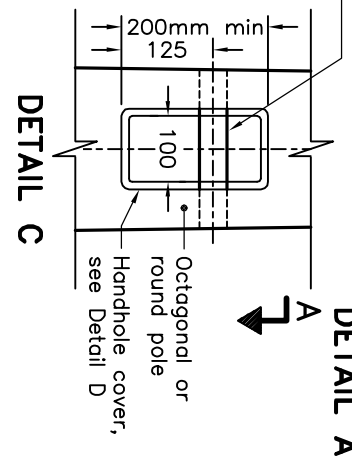
TOP VIEW



DETAIL B

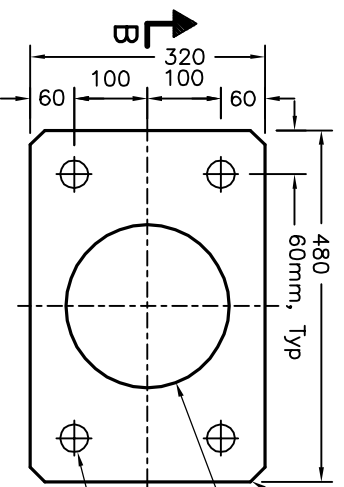


DETAIL C

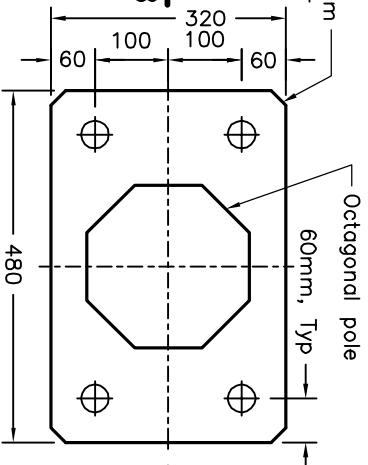


DETAIL D

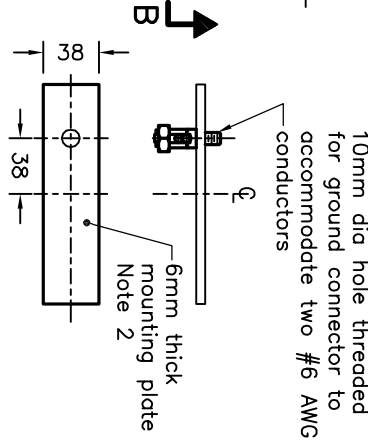
| FABRICATION DATA | | | |
|------------------|-------------------------|---------------------|---------------------|
| Pole Length 'm' | Octagonal Bottom OD 'd' | Round Bottom OD 'd' | Round Bottom OD 'd' |
| 10.5 | 222 | 222 | 222 |
| 12.0 | 239 | 242 | 242 |
| 13.6 | 258 | 260 | 260 |
| 15.1 | 275 | 279 | 279 |



DETAIL E



DETAIL F



NOTES:

- For octagonal poles, the diameter shall be measured across the flats.
- Centreline of mounting plate and ground connector shall be 25mm above centreline of handhole.
- All shafts shall be 4.5mm thick steel.
- All dimensions are in millimetres unless otherwise shown.

ONTARIO PROVINCIAL STANDARD DRAWING

STEEL POLE

CONCRETE BARRIER BASE MOUNTED

Apr 2017

Rev 1



OPSD 2416.011