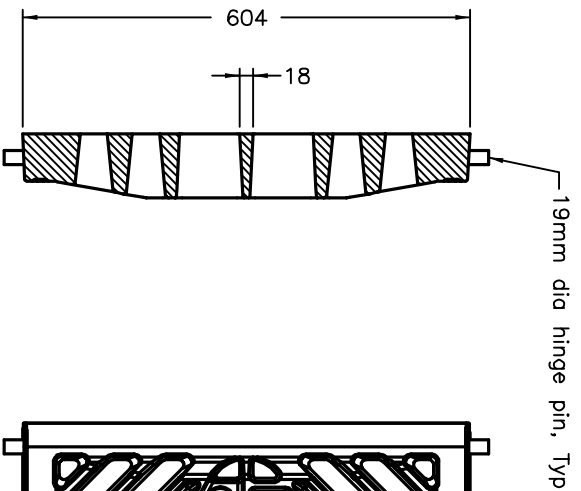
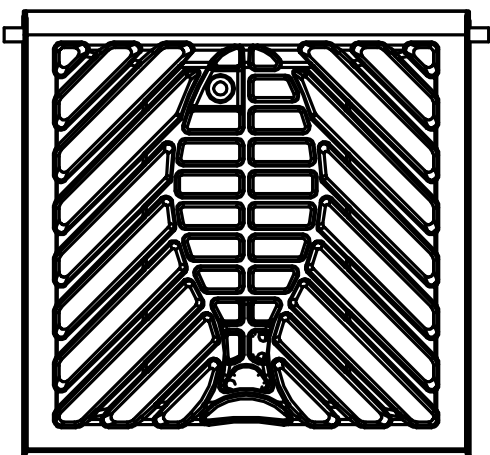


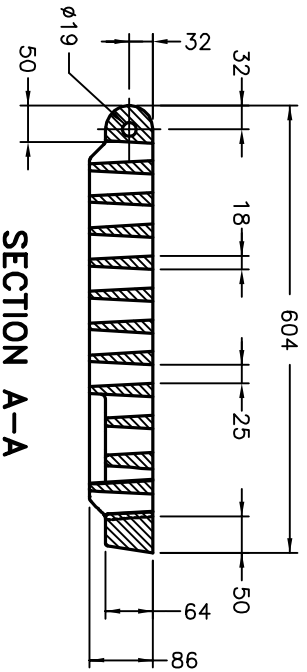
PLAN



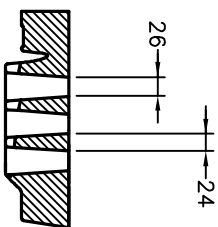
SECTION B-B



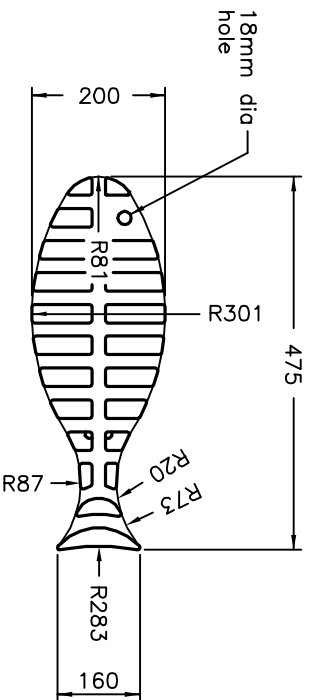
BOTTOM VIEW



SECTION A-A



SECTION C-C



FISH DETAIL

**NOTE:**

A This OPSD shall be read in conjunction with OPSD 400.020.  
 B All dimensions are in millimetres unless otherwise shown.

ONTARIO PROVINCIAL STANDARD DRAWING

**CAST IRON, SQUARE FRAME  
 FISH TYPE COVER**

Nov 2015 Rev 1

OPSD 401.081

