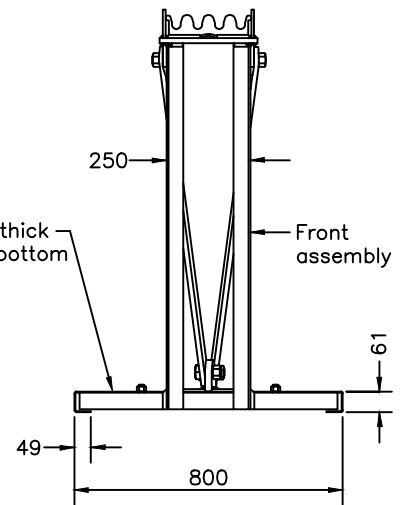
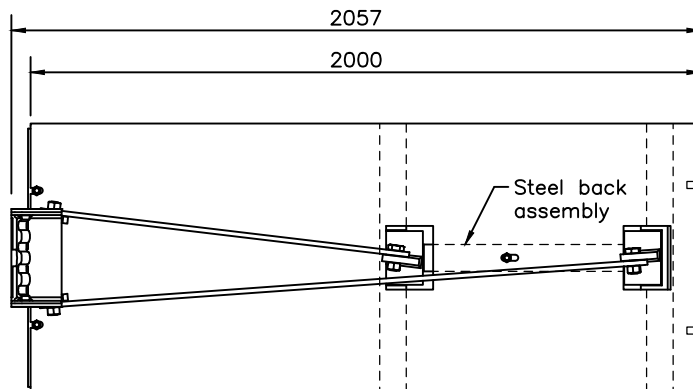


ELEVATION



FRONT ELEVATION



PLAN

NOTES:

- A The components depicted here are proprietary.
- B Steel components hot dip galvanized according to ASTM A123.
- C All dimensions are in millimetres unless otherwise shown.

ONTARIO PROVINCIAL STANDARD DRAWING

Apr 2018

Rev 0

GUIDE RAIL SYSTEM, HIGH TENSION CABLE  
SAFENCE TERMINAL  
STEEL ANCHOR ASSEMBLY – COMPONENT



OPSD 913.226