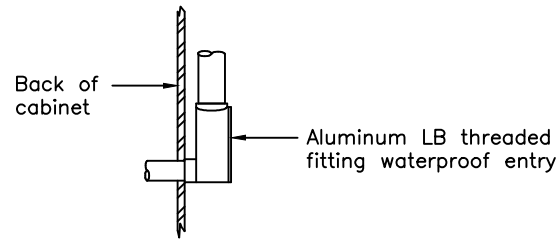
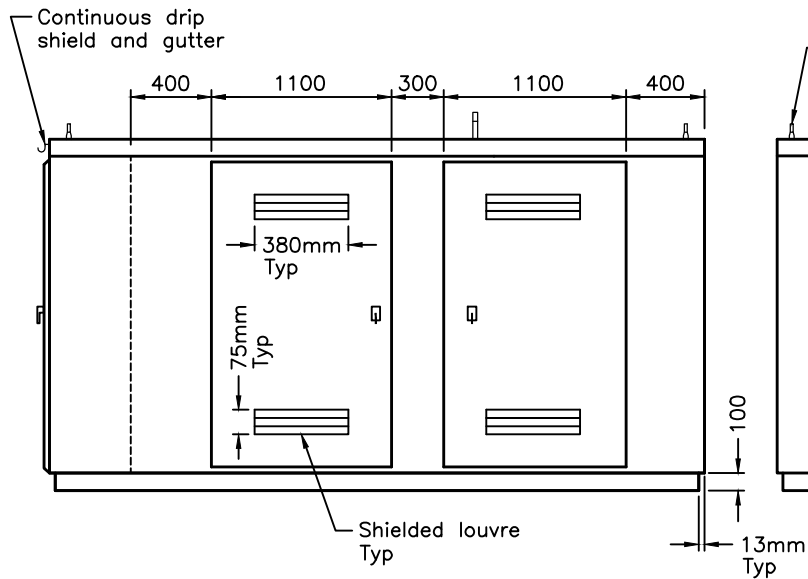


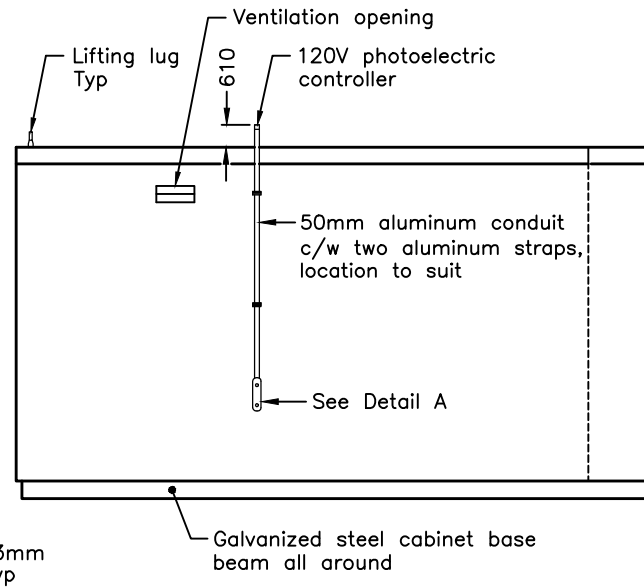
PLAN



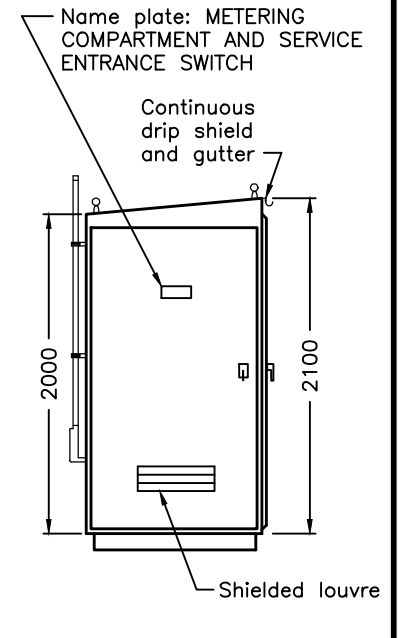
DETAIL A



FRONT ELEVATION




REAR ELEVATION



SIDE ELEVATION

NOTES:

- 1 Metering compartment as specified by power supply authority. Metering compartment may be a separate stand-alone enclosure.
- A This OPSD shall be read in conjunction with OPSD 2400.000 and 2400.020.
- B All wiring shall be run in conduit or metal wireway between items of equipment.
- C All dimensions are in millimetres unless otherwise shown.

ONTARIO PROVINCIAL STANDARD DRAWING	Nov 2018	Rev 3	
DISTRIBUTION ASSEMBLY			
CABINET			OPSD 2400.010