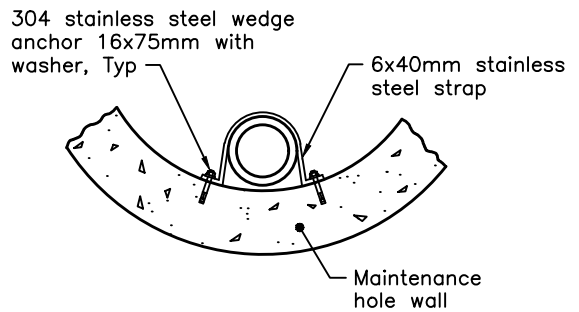
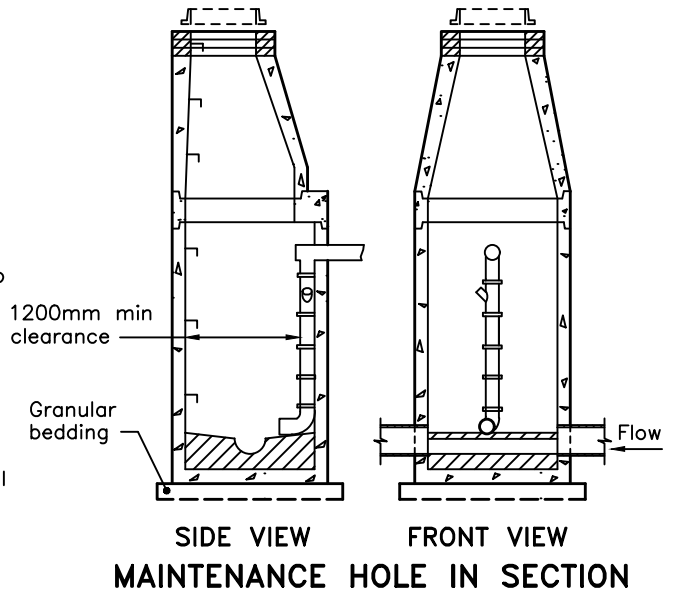


**INTERNAL DROP STRUCTURE DETAIL**



**FASTENER DETAIL**

**NOTES:**

- 1 At the elbow, a stainless steel strap is required at bottom of bell.
- A Internal drop structure shall be used on existing maintenance holes 1500mm diameter and larger with a minimum height of 600mm from the inlet pipe invert to the top of benching. The existing benching shall be modified as required.
- B Drop pipe shall be one size smaller than the incoming sewer with a minimum 150mm diameter and maximum of 375mm diameter. A maximum of 300mm diameter for 1500mm maintenance holes.
- C Straps shall not be placed within 150mm of any maintenance hole section joint.
- D All dimensions are in millimetres unless otherwise shown.

ONTARIO PROVINCIAL STANDARD DRAWING

**INTERNAL DROP STRUCTURE  
FOR EXISTING MAINTENANCE HOLES  
WITH OPTIONAL SIDE CLEANOUT**

Nov 2021

Rev 5



**OPSD 1003.030**