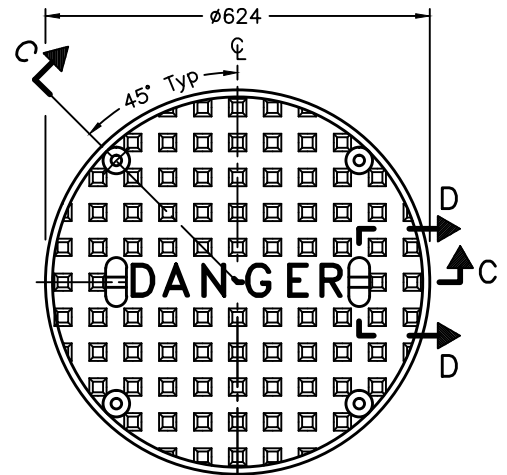
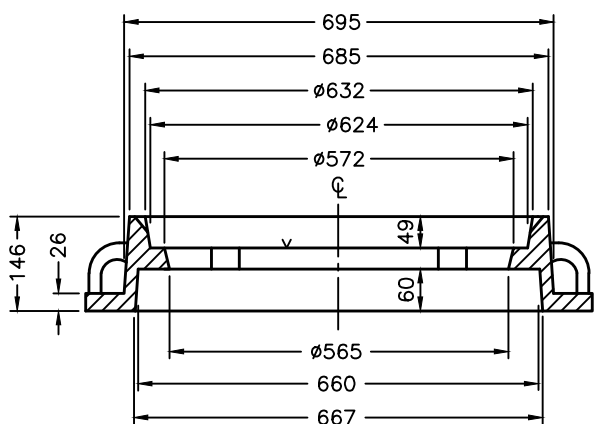


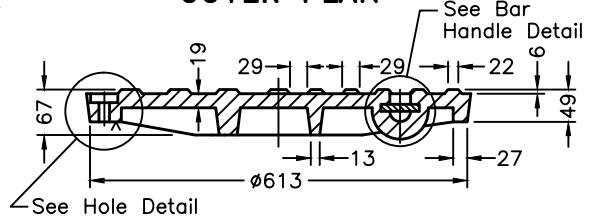
**FRAME PLAN**



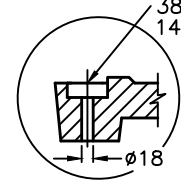
**COVER PLAN**



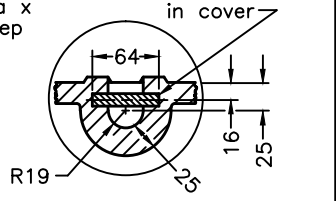
**SECTION A-A**



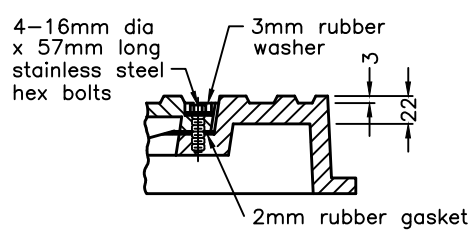
**SECTION C-C**



**HOLE DETAIL**

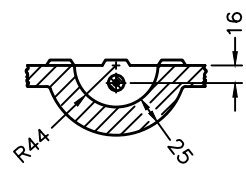


**BAR HANDLE DETAIL**

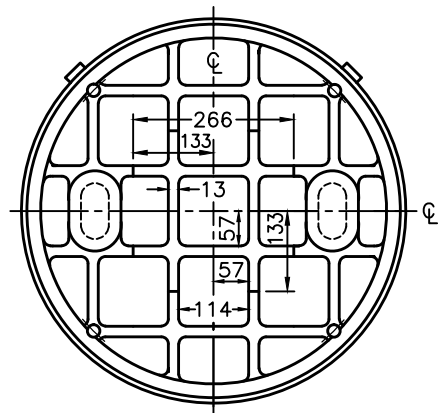


**SECTION B-B**

SHOWN WITH COVER IN PLACE



**SECTION D-D**



**BOTTOM VIEW**

**NOTES:**

A All dimensions are in millimetres unless otherwise shown.

ONTARIO PROVINCIAL STANDARD DRAWING

Nov 2018

Rev 5

**CAST IRON, RAISED SQUARE FRAME WITH  
CIRCULAR WATERTIGHT COVER  
FOR MAINTENANCE HOLES**



**OPSD 401.050**