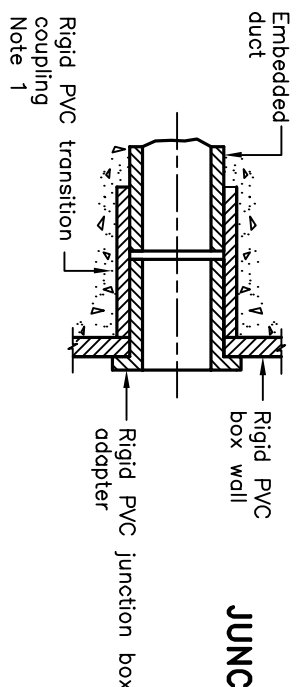
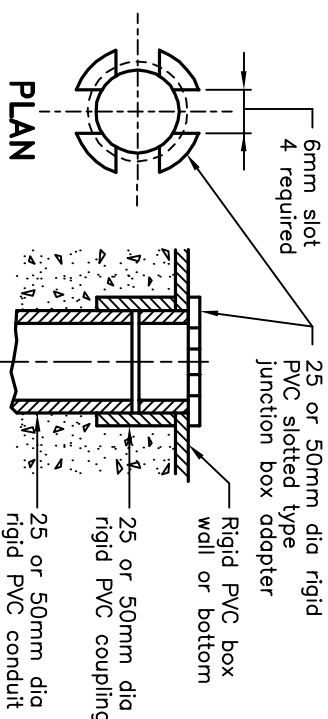


SECTION B-B WITH COVER



TYPICAL CONNECTION FOR RIGID CONDUIT



TYPICAL DETAIL FOR DRAINAGE

- NOTES:**
- 1 Rigid PVC transition coupling shall be suitable for use with embedded ducts.
 - A Mounting feet shall be installed to secure the box during installation.
 - B For junction box conduit entries, refer to the Contract Drawings.
 - C All dimensions are in millimetres unless otherwise shown.

JUNCTION BOX ADAPTER SIZES

JUNCTION BOX ADAPTER	DRILL HOLE SIZES
25	33
32	42
38	48
50	60
65	73
75	88

DIMENSIONS OF TYPE P4 RIGID PVC JUNCTION BOXES

PVC BOX DIMENSIONS WITH COVER		
TYPE No.	A	B
P4-1	102	70
P4-2	102	106
P4-3	102	158
P4-4	127	51
P4-5	162	124
P4-6	162	157
P4-7	219	107
P4-8	219	184
P4-9	320	108
P4-10	320	158
P4-11	320	210

ONTARIO PROVINCIAL STANDARD DRAWING

Nov 2013 Rev 1

RIGID PVC JUNCTION BOX TYPE P4

OPSD 2300.030

