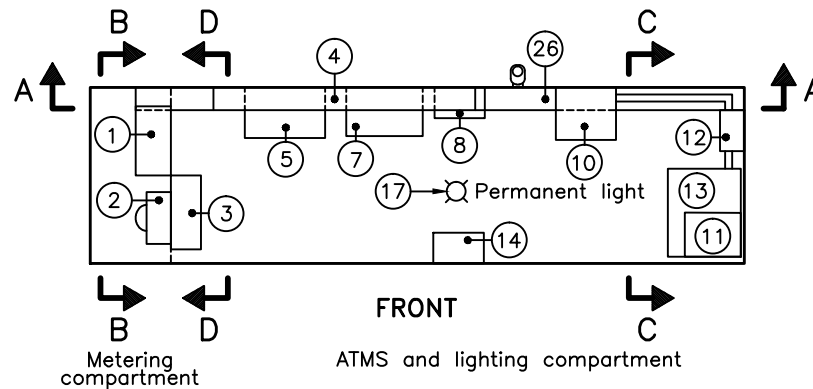
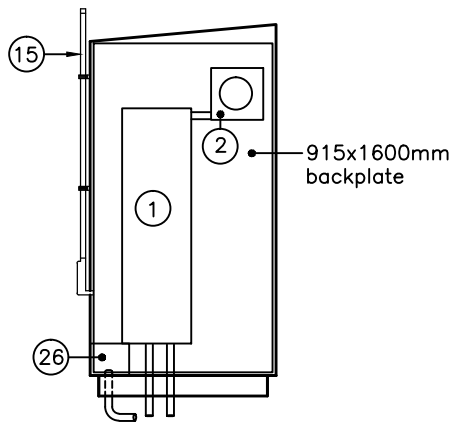


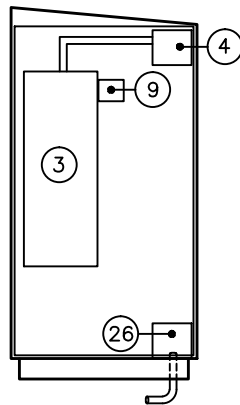
EQUIPMENT MOUNTING DETAIL



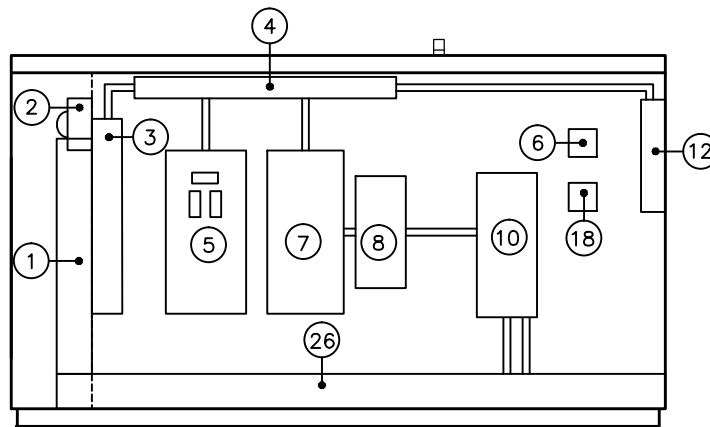
PLAN



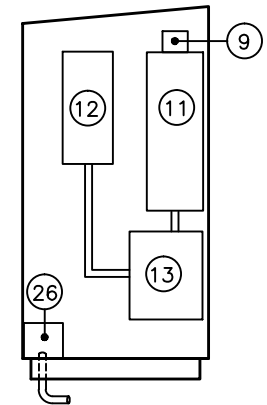
SECTION B-B



SECTION D-D



SECTION A-A



SECTION C-C

NOTES:

A This OPSD shall be read in conjunction with OPSD 2400.000 and 2400.010.

B All dimensions are in millimetres unless otherwise shown.

ONTARIO PROVINCIAL STANDARD DRAWING

Nov 2018

Rev 2

DISTRIBUTION ASSEMBLY

EQUIPMENT LAYOUT



OPSD 2400.020