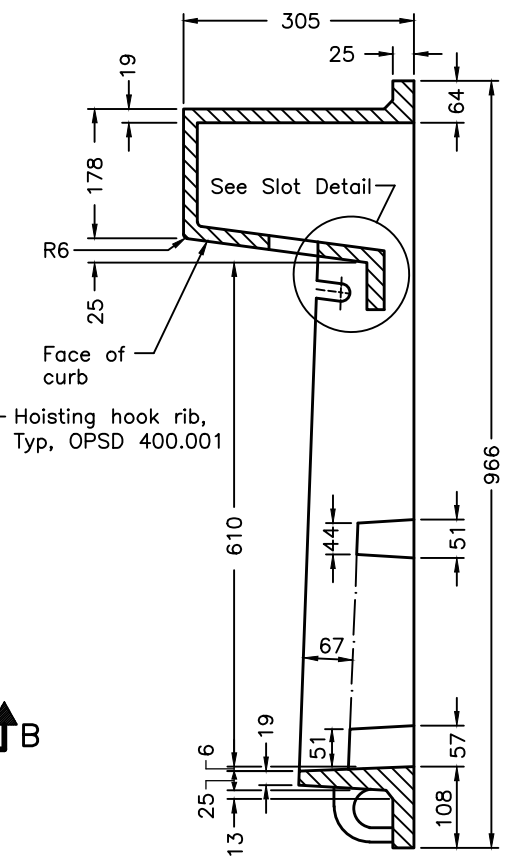
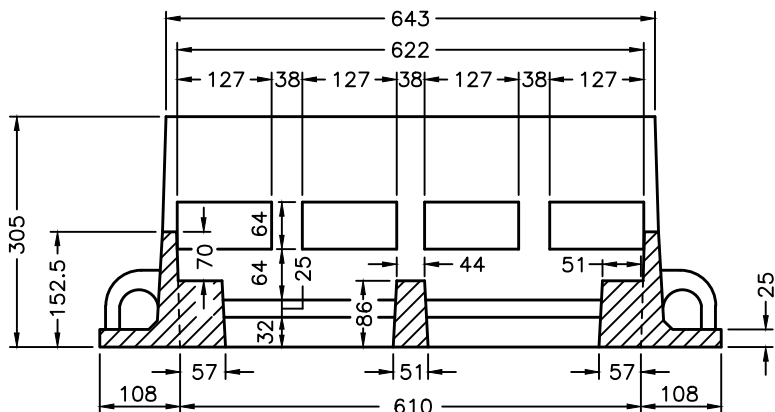


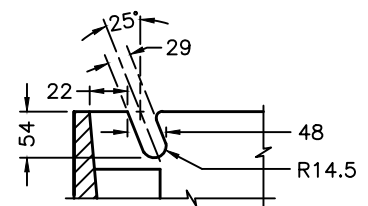
FRAME PLAN



SECTION A-A



SECTION B-B



SLOT DETAIL

NOTES:

- A For grate see OPD 400.020 or 400.100.
- B All dimensions are in millimetres unless otherwise shown.

ONTARIO PROVINCIAL STANDARD DRAWING

Nov 2018 Rev 4

**CAST IRON, SIDE INLET
FOR CATCH BASINS**



OPSD 400.080