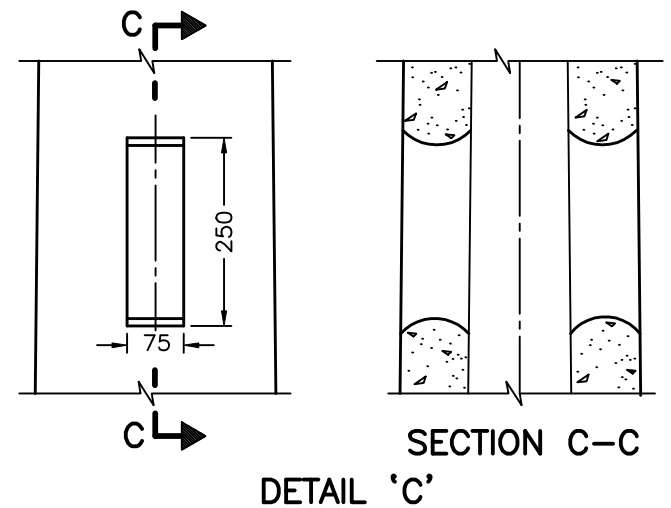
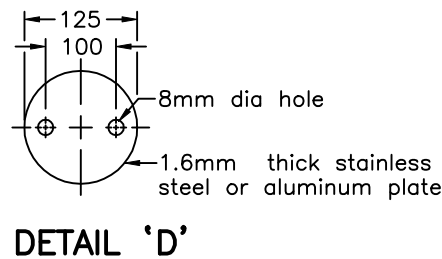
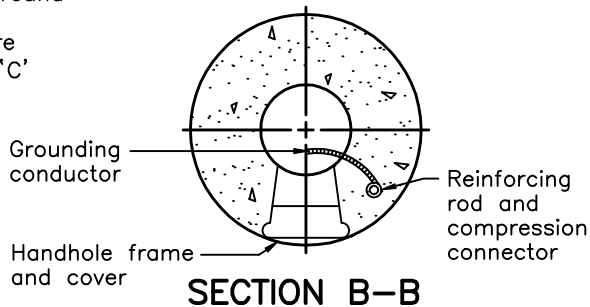
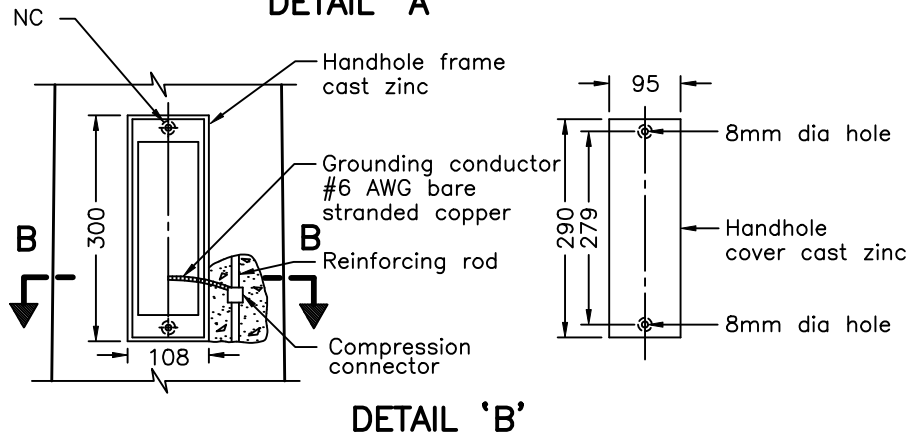
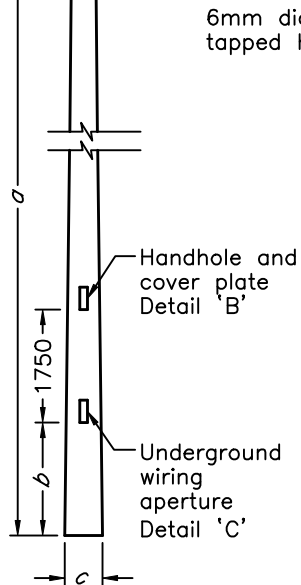


POLE FABRICATION DATA			
Pole Length $d$ m	Aperture Location $b$ mm	Bottom Diameter $c$ mm	Top Diameter $d$ mm
9.0	1150	290	165
10.7	1150	312	165
12.5	1500	338	165
14.0	1500	373	165
15.8	1750	401	165
18.3	2670	439	165
21.3	2670	485	165



**NOTE:**

A All dimensions are in millimetres or metres unless otherwise shown.

ONTARIO PROVINCIAL STANDARD DRAWING

1993 12 15 Rev 2

**SPUN CONCRETE POLE  
CLASS 'D'**

Date



**OPSD - 2410.01**