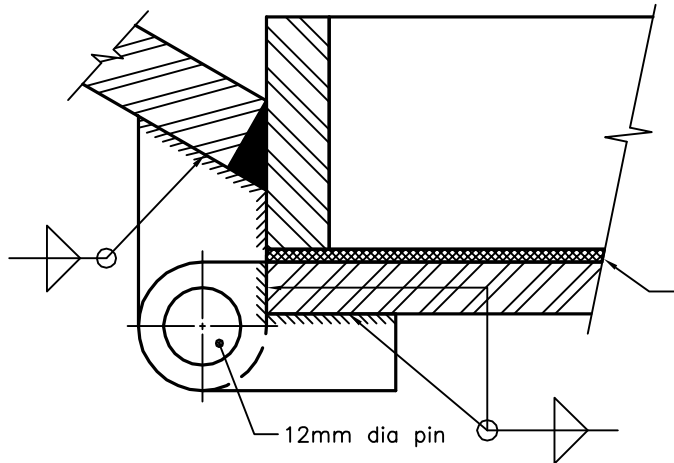
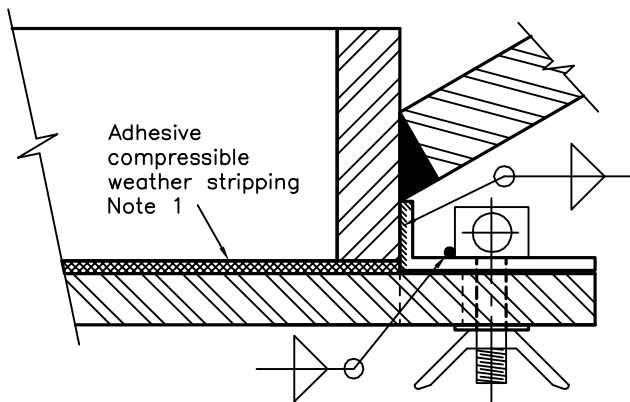


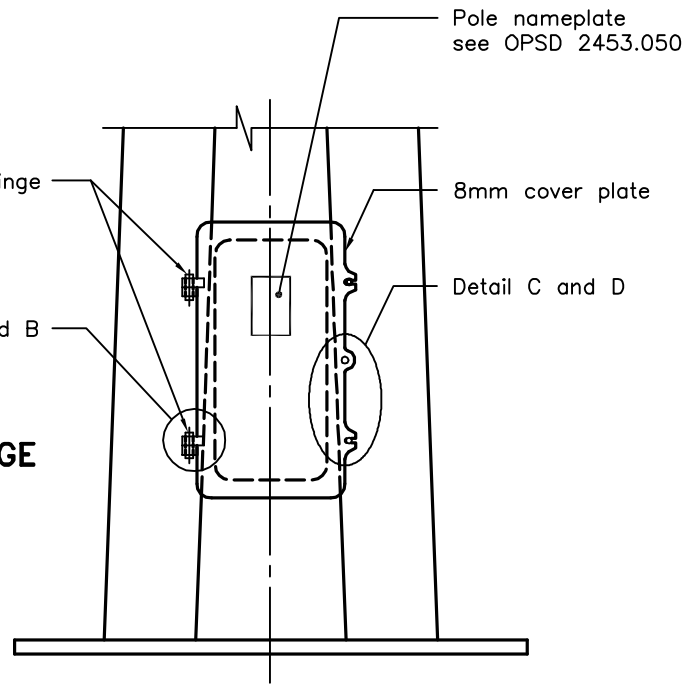
**DETAIL A  
FRONT VIEW OF HANDHOLE COVER HINGE**



**DETAIL B  
TOP VIEW OF HANDHOLE COVER HINGE**

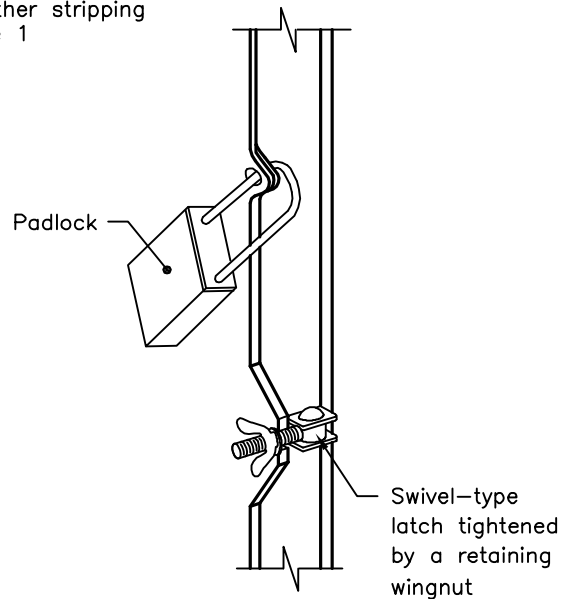


**DETAIL D  
TOP VIEW OF HANDHOLE COVER LATCH**



**ELEVATION**

Adhesive compressible weather stripping  
Note 1




**DETAIL C  
HANDHOLE COVER LATCH AND PADLOCK**

**NOTES:**

1 Weather stripping shall be 50mm minimum wide and shall be securely attached around the complete edge of the pole handhole opening.

A All dimensions are in millimetres unless otherwise shown.

ONTARIO PROVINCIAL STANDARD DRAWING		Nov 2016	Rev 1	
<b>HIGH MAST LIGHTING POLE</b>		-----		
HANDHOLE COVER HINGES, LATCHES, AND PADLOCK		-----		
<b>OPSD 2453.020</b>				