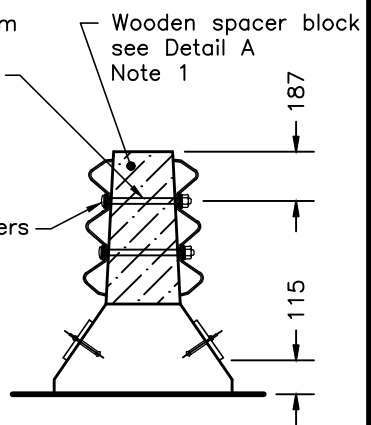


WOODEN SPACER BLOCK DETAIL A

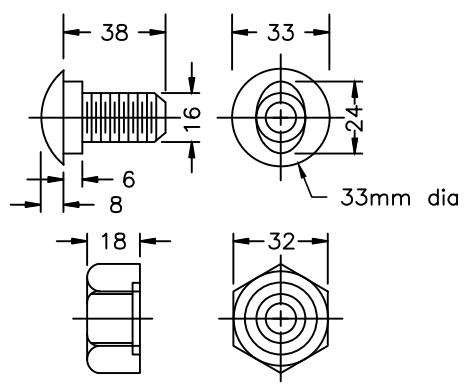


ELEVATION

SECTION A-A

NOTES:

- 1 Top and bottom of wooden spacer block cut shall match profile of adjacent temporary concrete barriers.
 - 2 Alternative Hilti HIT HY200 with 22mm diameter HAS-E rods or equivalent, 95mm minimum embedment.
 - 3 Exposed bolt or threaded rod end saw-cut flush with face of nut. Flame cutting is not permitted.
- A Minimum length of 32m of temporary concrete barrier on both sides of transition.
 B All dimensions are in millimetres unless otherwise shown.



SPLICE BOLT AND NUT DETAIL B

ONTARIO PROVINCIAL STANDARD DRAWING	Nov 2020	Rev 1	
GUIDE RAIL SYSTEM, CONCRETE BARRIER TEMPORARY CONCRETE BARRIER TRANSITION INSTALLATION – TEMPORARY			
OPSD 911.340			