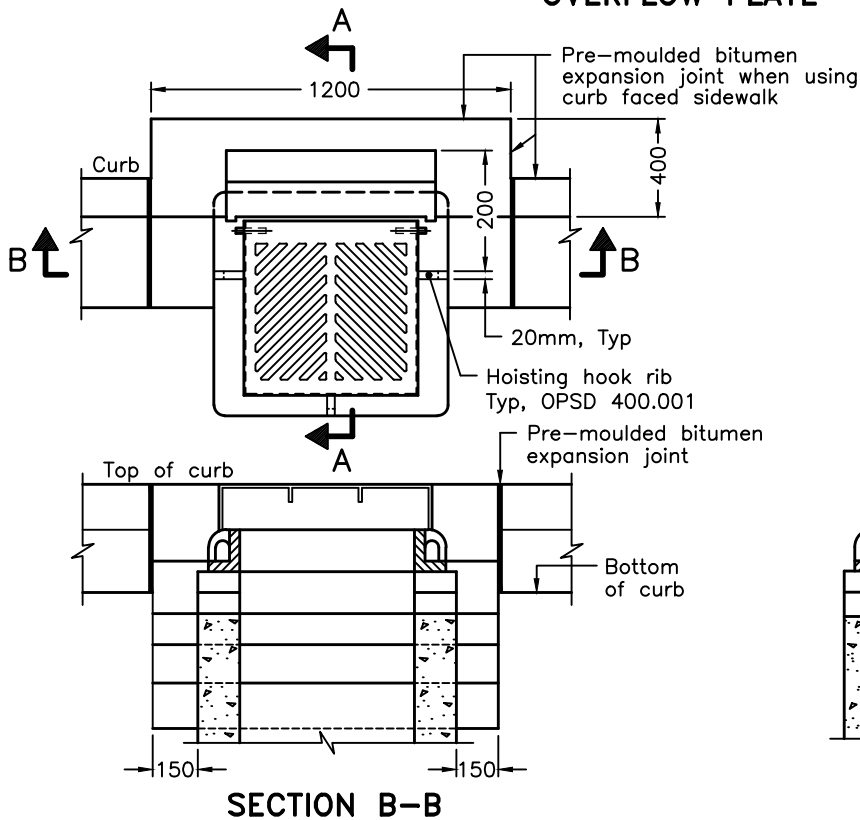


OVERFLOW PLATE



INSTALLATION DETAIL

NOTES:

- 1 Temporary brick bulkhead prior to setting final grade of the frame with grate.
- A Catch basin shall have 250mm diameter minimum lead.
- B All dimensions are in millimetres unless otherwise shown.

ONTARIO PROVINCIAL STANDARD DRAWING

Nov 2018 Rev 3

**CAST IRON
 CURB INLET OVERFLOW
 FOR CATCH BASINS**



OPSD 400.090