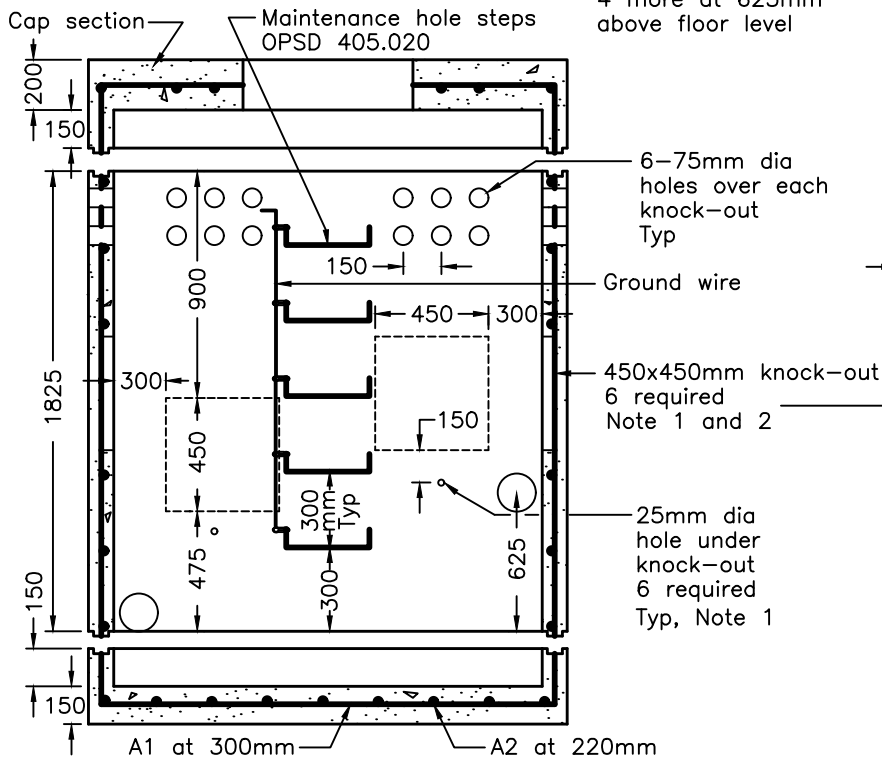
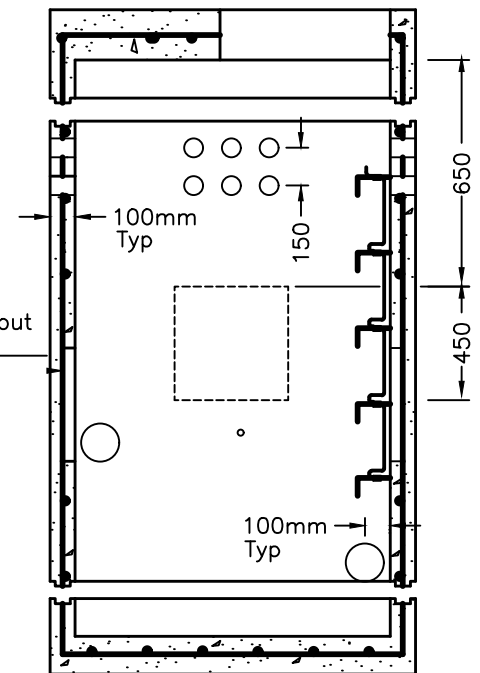


PLAN CAP SECTION



SECTION A-A



SECTION B-B

REINFORCING TABLE					
Mark	Quant	Size	Length m	Mass kg	Detail
A1	13	10M	2.15	21.94	
A2	18	10M	1.68	23.74	
A3	24	15M	1.2	45.21	
A4	12	10M	1.83	17.24	
A5	12	15M	1.72	32.40	Straight
A6	34	10M	1.77	47.24	Straight

NOTES:

- 1 For general installation details see OPSD 2117.010.
 - 2 For duct installation profiles see OPSD 2103.020.
- A Minimum cover for reinforcing steel shall be 35mm external surface, 25mm internal surface.
- B All reinforcing shall be cut to suit openings.
- C All dimensions are in millimetres unless otherwise shown.

ONTARIO PROVINCIAL STANDARD DRAWING

ELECTRICAL MAINTENANCE HOLE
 PRECAST CONCRETE
 1200 x 1650mm

Apr 2022

Rev 2



OPSD 2111.040