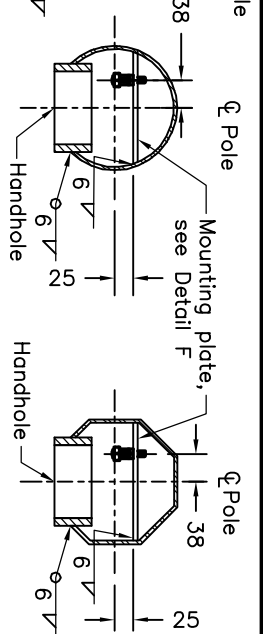
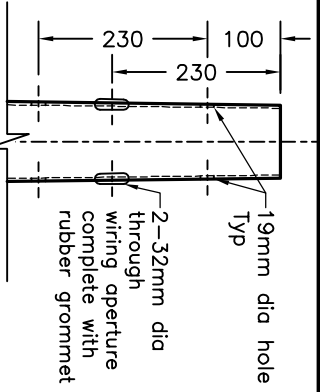


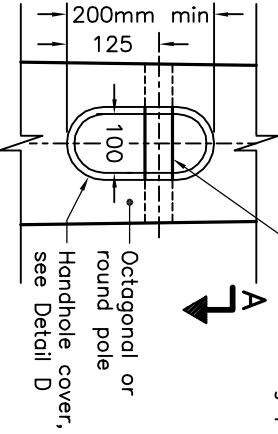
SECTION B-B



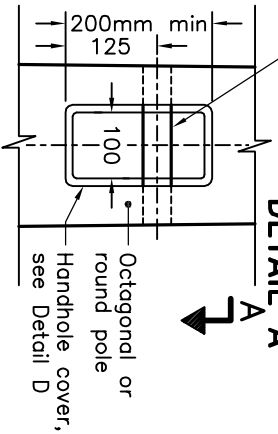
SECTION A-A



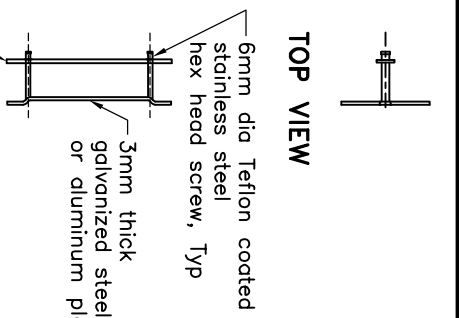
DETAIL A



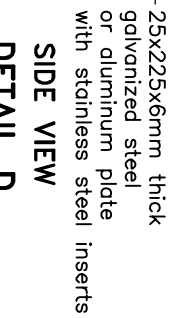
DETAIL B



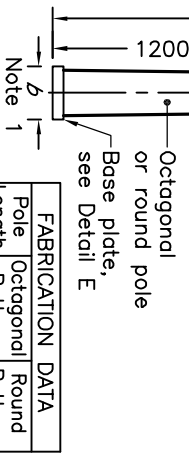
DETAIL C



TOP VIEW



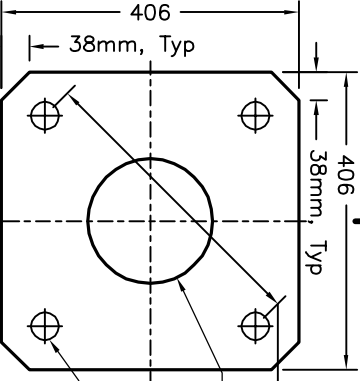
DETAIL D



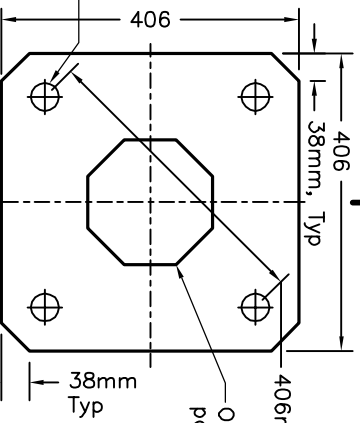
FABRICATION DATA			
Pole Length	Octagonal Bottom OD	Round Bottom OD	Round Bottom OD
m	Ø	Ø	Ø
6.0	170	170	170
7.5	187	187	187
9.0	205	205	205
10.5	222	222	222
12.0	239	242	242
13.6	258	260	260
15.1	275	278	278

NOTES:

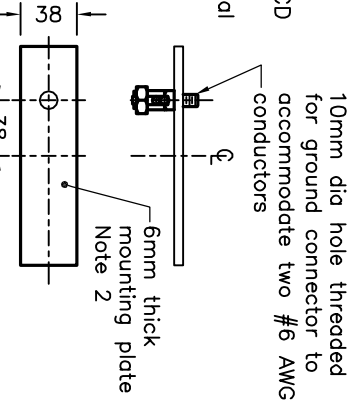
- For octagonal poles, the diameter shall be measured across the flats.
- Centreline of mounting plate and ground connector shall be 25mm above centreline of handhole.
- All shafts shall be 4.5mm thick steel.
- All dimensions are in millimetres unless otherwise shown.



DETAIL E



DETAIL F



ONTARIO PROVINCIAL STANDARD DRAWING

STEEL POLE

BASE MOUNTED

Apr 2017 Rev 1

OPSD 2415.011

