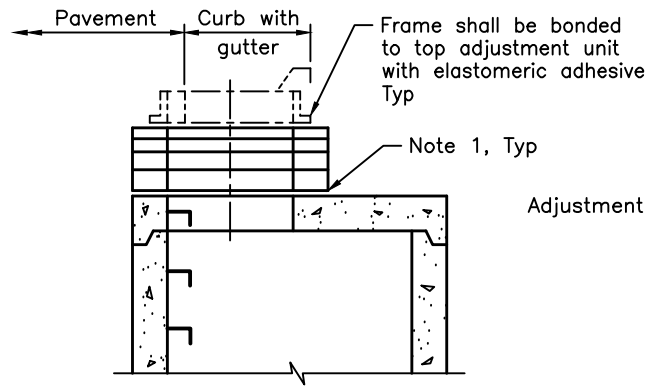
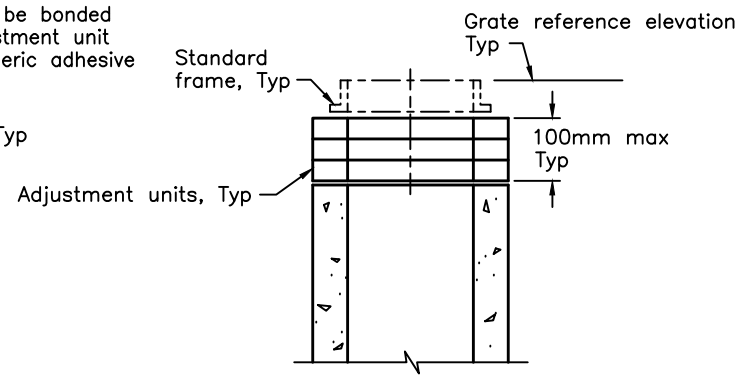


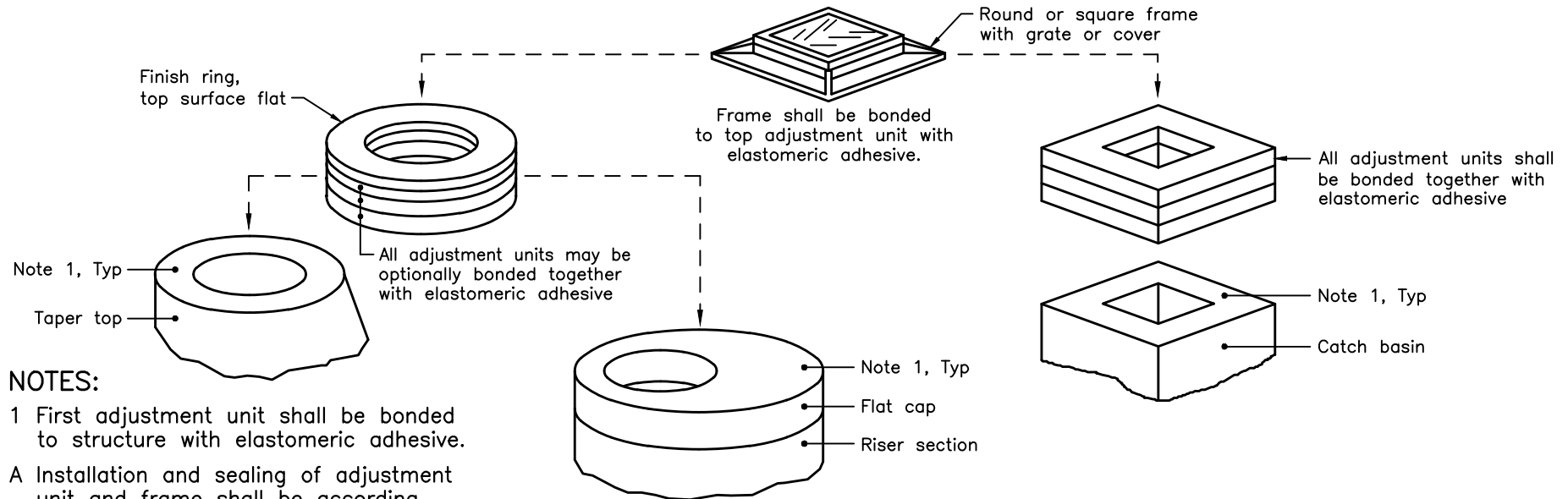
SECTION THROUGH TAPER TOP



SECTION THROUGH FLAT CAP



SECTION THROUGH CATCH BASIN



NOTES:

- 1 First adjustment unit shall be bonded to structure with elastomeric adhesive.
- A Installation and sealing of adjustment unit and frame shall be according to adjustment unit manufacturer's recommendations.
- B Adjustment units shall not extend beyond the outside edge of the structure.
- C All dimensions are in millimetres unless otherwise shown.

ONTARIO PROVINCIAL STANDARD DRAWING	Nov 2018	Rev 1	
EXPANDED POLYSTYRENE (EPS) ADJUSTMENT UNITS FOR MAINTENANCE HOLES, CATCH BASINS, AND VALVE CHAMBERS			
OPSD 704.012			