

METAL PLATE DETAIL

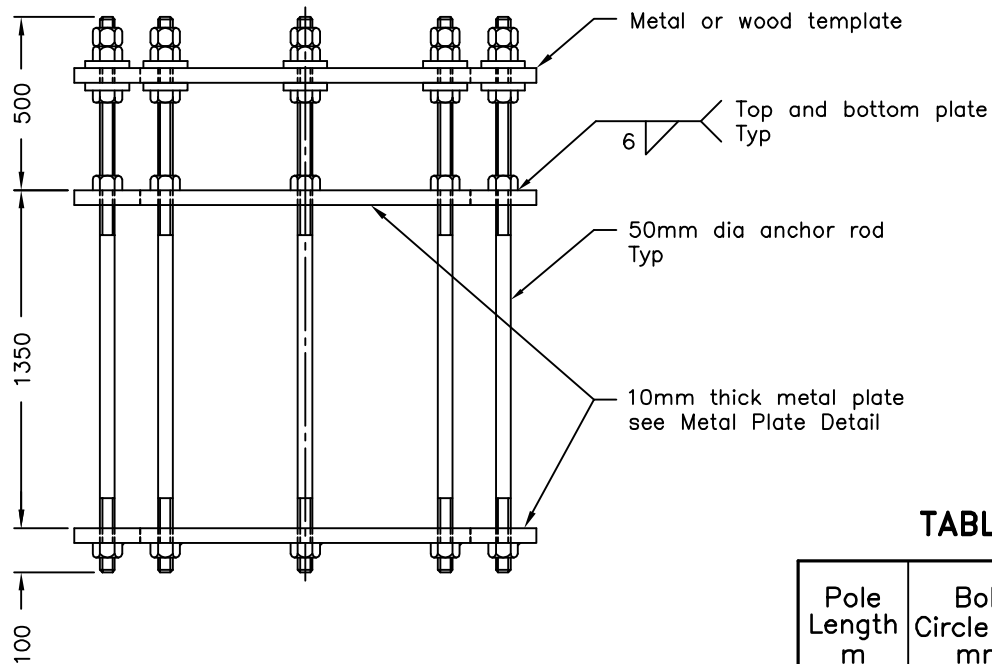


TABLE 1

Pole Length m	Bolt Circle Dia mm	No. of Anchor Rods
25	750	8
30	850	8
35	950	8
40	1075	12
45	1075	12

NOTES:

- 1 Number of anchor rod holes varies, see Table 1.
- A Anchor rods shall be equally spaced.
- B All nuts, anchor rods, metal plates, and washers of the assembly shall be galvanized.
- C All dimensions are in millimetres unless otherwise shown.

<p>ONTARIO PROVINCIAL STANDARD DRAWING</p> <p>HIGH MAST LIGHTING POLE</p> <p>ANCHORAGE ASSEMBLY DETAILS</p>	<p>Nov 2016</p>	<p>Rev 1</p>	
<p>OPSD 2456.011</p>			