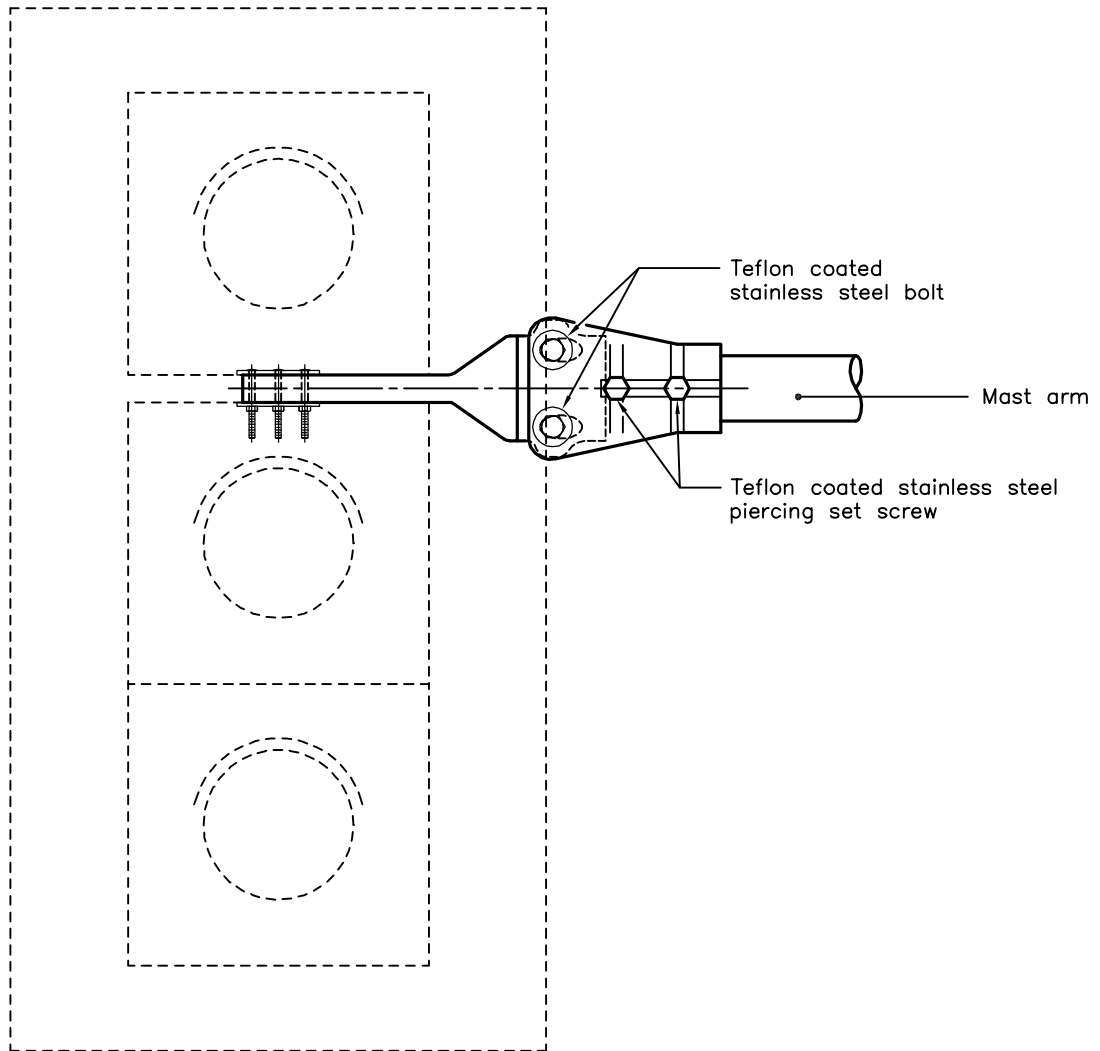


PLAN



ELEVATION

NOTE:

A This OPSD shall be read in conjunction with OPSD 2501.010 and 2501.020.

ONTARIO PROVINCIAL STANDARD DRAWING	Nov 2017	Rev 1	
<p style="text-align: center;"><b>TRAFFIC SIGNAL</b></p> <p style="text-align: center;">ADJUSTABLE MID-SECTION HANGER</p>	<p style="text-align: center;">-----</p> <p style="text-align: center;">-----</p>		
	<b>OPSD 2502.010</b>		