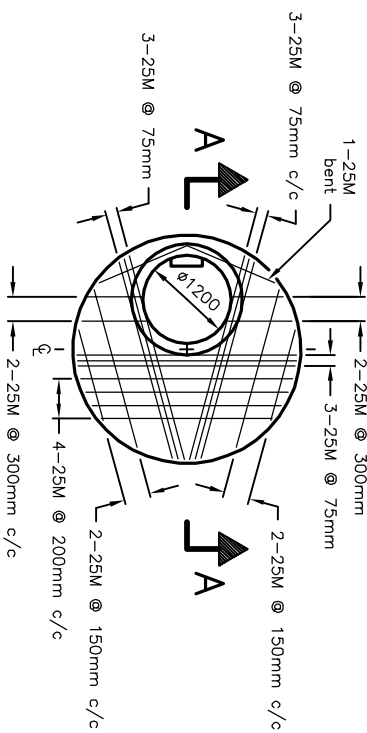


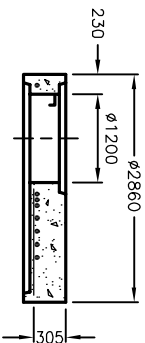
**2400 to 1200mm DIAMETER
MAINTENANCE HOLE**

NOTES:

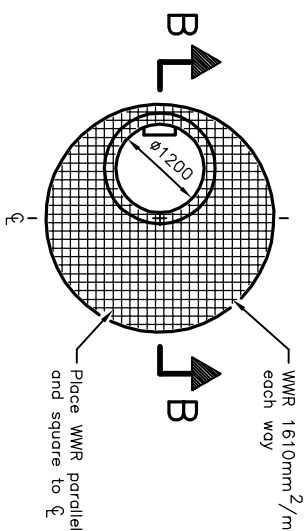
- A This OPSPD shall be read in conjunction with OPSPD 701.061.
- B All reinforcing steel shall have 25mm minimum cover.
- C Steps shall be according to OPSPD 405.010 or 405.020.
- D All dimensions are in millimetres
- E All dimensions are in millimetres unless otherwise shown.



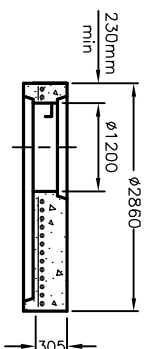
**PLAN OF TRANSITION SLAB
WITH REINFORCING STEEL BARS**



SECTION A-A



**PLAN OF TRANSITION SLAB
WITH WWR**



SECTION B-B

ONTARIO PROVINCIAL STANDARD DRAWING

**PRECAST CONCRETE
MAINTENANCE HOLE COMPONENTS
2400mm DIAMETER
TRANSITION SLAB**

Nov 2014 Rev 4

OPSPD 701.060

