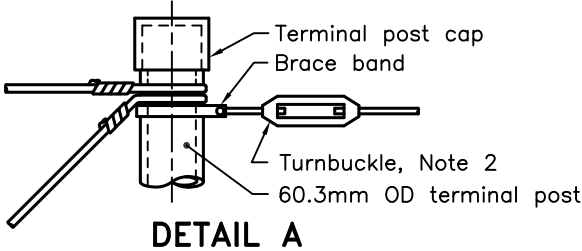
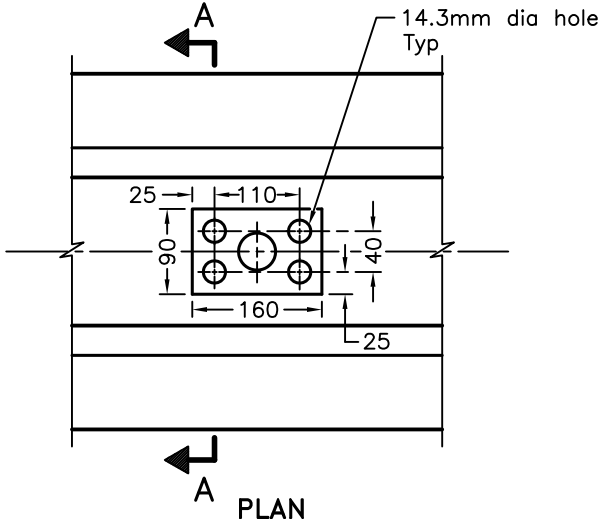


END SECTION DETAIL

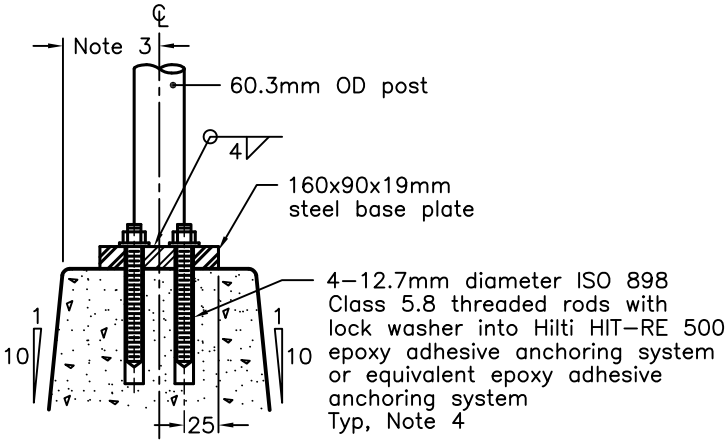
LINE POST DETAIL



DETAIL A



PLAN



SECTION A-A

NOTES:

- 1 For line post cap detail refer to OPSD 972.132.
 - 2 Turnbuckles shall be installed on diagonal brace wires and top and bottom wires, at intervals of 150m max and at terminal posts.
 - 3 Chain-link fence posts shall be located on centreline of concrete barrier.
 - 4 Anchors shall be installed according to manufacturer's specifications.
- A All dimensions are in millimetres unless otherwise shown.

ANCHORAGE DETAIL

ONTARIO PROVINCIAL STANDARD DRAWING		Nov 2012	Rev 2	
<p style="text-align: center;">FENCE, CHAIN-LINK INSTALLATION – CONCRETE BARRIER</p>		-----		
		<p style="text-align: center;">OPSD 972.131</p>		