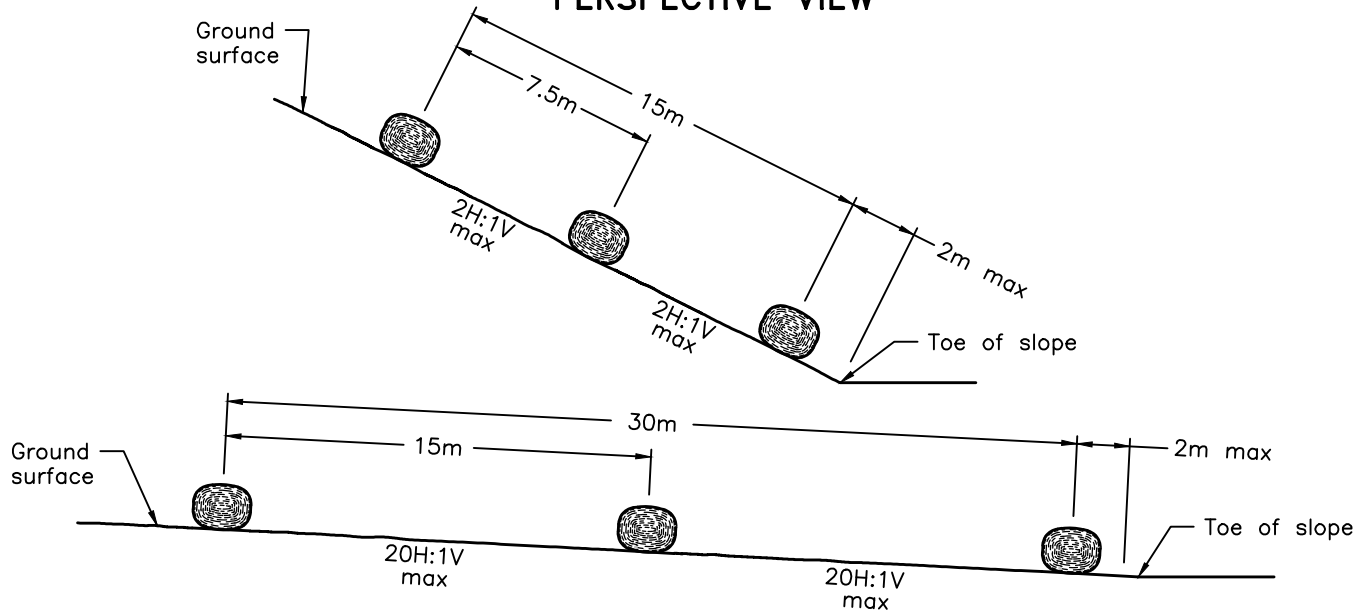
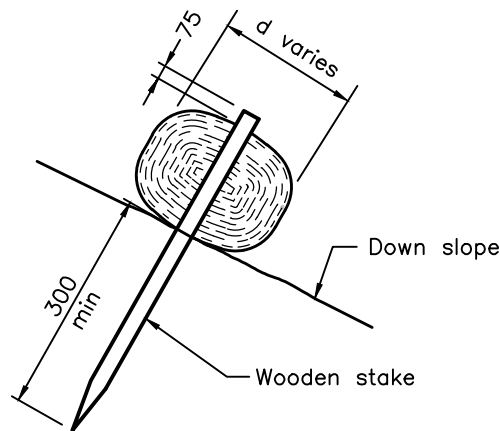


PERSPECTIVE VIEW



FIBRE ROLL SLOPE



SECTION A-A

NOTES:

- A This OPSD shall be read in conjunction with OPSD 219.120.
- B All dimensions are in millimetres unless otherwise shown.
- C Remove all surface obstructions greater than 50mm from ground surface.

ONTARIO PROVINCIAL STANDARD DRAWING

Nov 2021

Rev 1

FIBRE ROLL GRADE BREAKS



OPSD 219.160