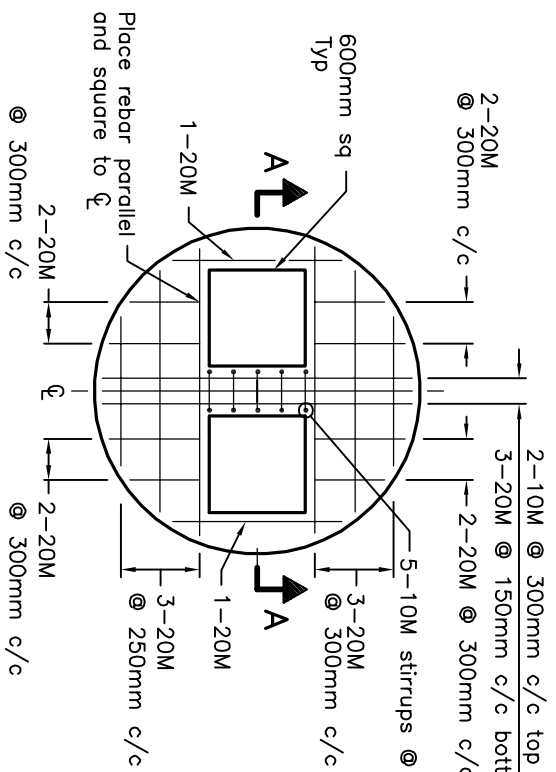
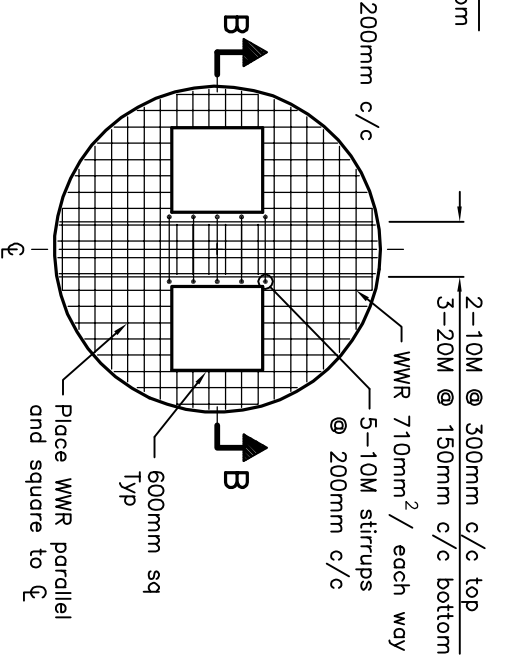


Precast units,  
OPSD 701.051

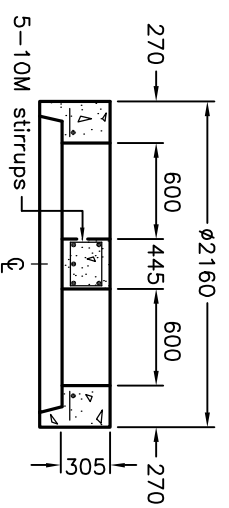
**1800mm DIAMETER  
MAINTENANCE HOLE**



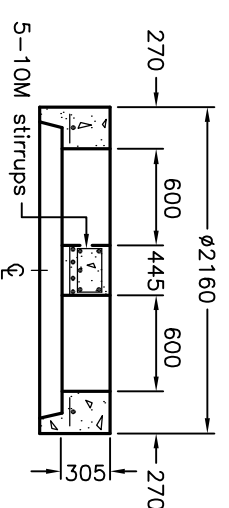
**PLAN OF TWIN INLET FLAT CAP  
WITH REINFORCING STEEL BARS**



**PLAN OF TWIN INLET FLAT CAP  
WITH WWR**



**SECTION A-A**



**SECTION B-B**

**NOTES:**

- A All reinforcing steel shall have 25mm minimum cover.
- B All dimensions are in nominal.
- C All dimensions are in millimetres unless otherwise shown.

ONTARIO PROVINCIAL STANDARD DRAWING		Nov 2014	Rev 2
<p align="center"><b>PRECAST CONCRETE TWIN INLET FLAT CAP</b></p> <p align="center">1800mm DIAMETER</p>		-----	
		-----	
OPSD 703.022			