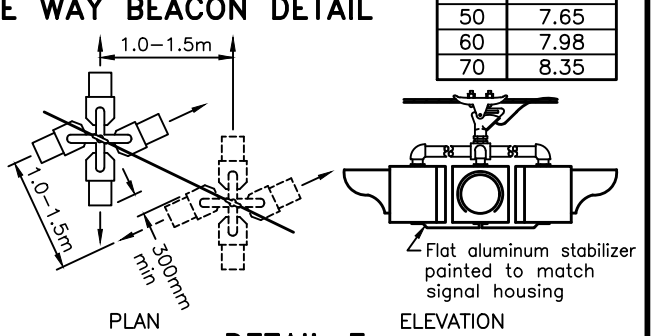
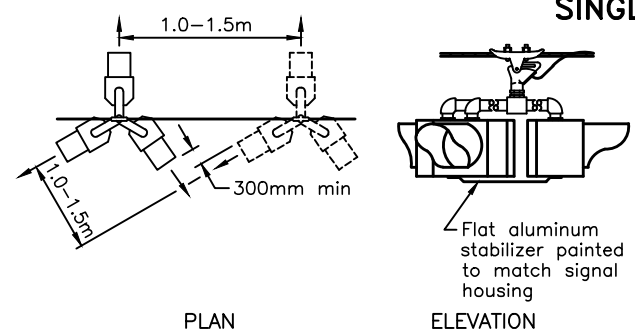
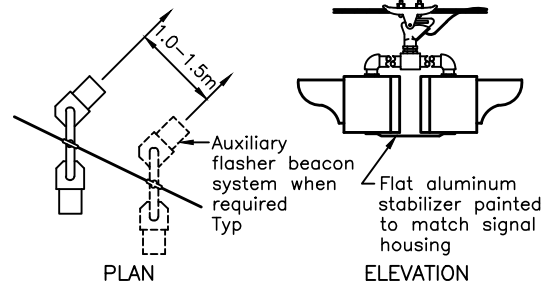


**TABLE 1
Note 3**

CABLE ATTACHMENT HEIGHT	
Span m	Attachment Height m
30	7.25
40	7.45
50	7.65
60	7.98
70	8.35




NOTES:

- Suspension cable shall be 9mm diameter Grade 160 steel strand cable.
- Attachment height shall be set to obtain the clearance height shown under CSA heavy loading conditions. Install suspension cable attachment height according to Table 1 and allow for deviations between pavement elevation and finished grade elevation at the pole.
- Values shown in Table 1 shall be interpolated to obtain intermediate values.
- Cable shall be installed using the tension corresponding to the installation temperature as shown in OPSD 2245.010.

- For orientation and location of signal heads and poles, refer to layout drawings.
- Strain insulators shall be used only for attachment to utility poles or poles with live cables installed above the suspension cable.

A All dimensions are in millimetres unless otherwise shown.

ONTARIO PROVINCIAL STANDARD DRAWING	Nov 2022	Rev 3	
AERIAL FLASHER BEACON INSTALLATION	-----		
OPSD 2540.020			