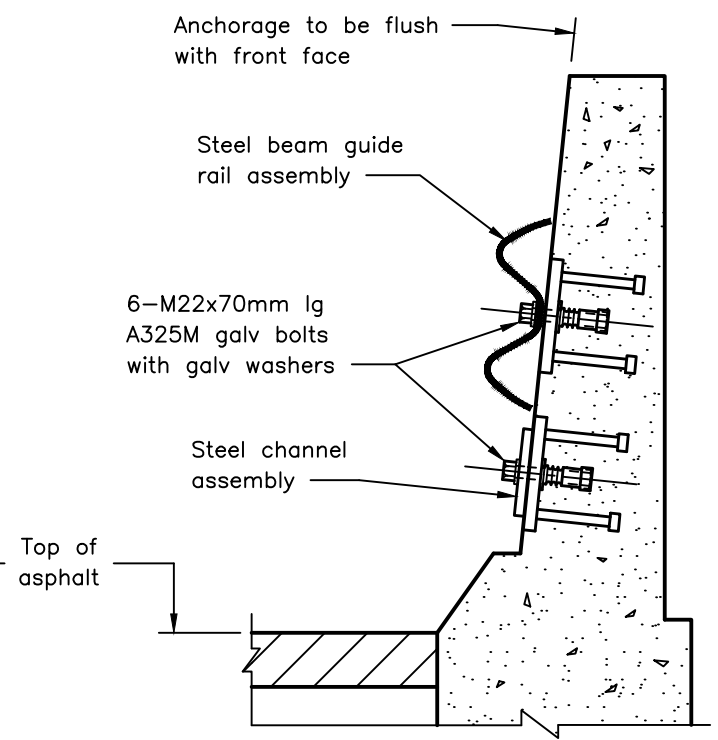
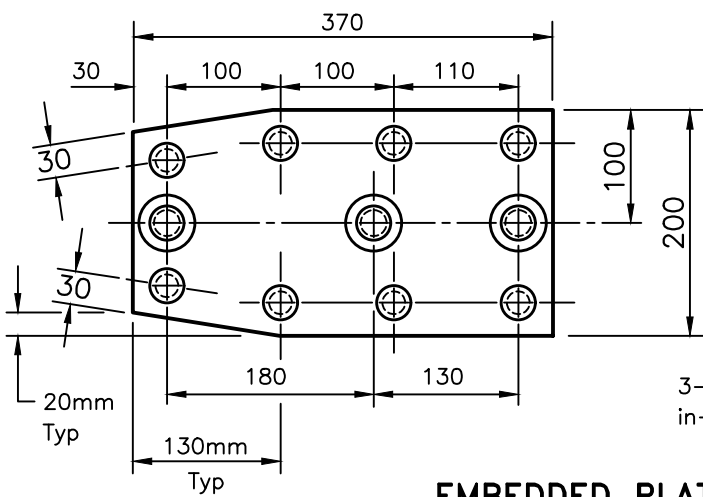


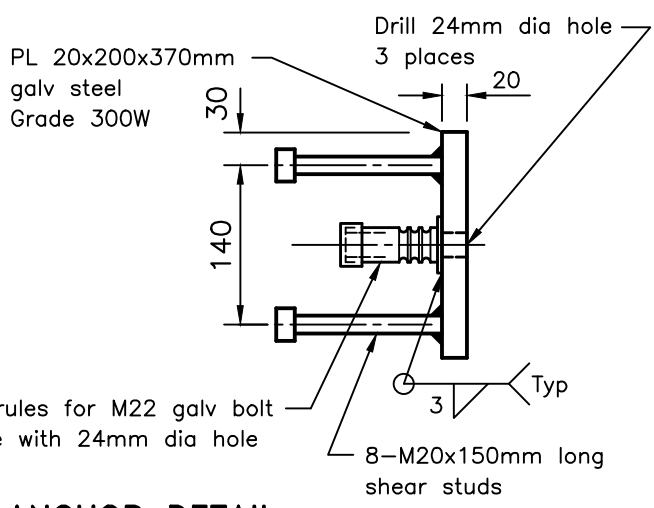
ELEVATION



SECTION A-A



EMBEDDED PLATE ANCHOR DETAIL



NOTES:

- 1 If curb or sidewalk in front of the barrier wall is 300mm or greater in width, the mounting height shall be measured vertically to the top of the concrete surface.
- A This OPSD to be read in conjunction with OPSD 912.401 and 912.430.
- B Steel according to CSA G40.21, Grade 300W.
- C Studs to be welded using fusion weld process.
- D Welding shall be of a low hydrogen classification according to CSA W59 with E480xx electrodes.
- E Anchor to be hot dip galvanized after fabrication according to CSA G164.
- F All bolts shall be liberally coated with antiseize compound.
- G All dimensions are in millimetres unless otherwise shown.

ONTARIO PROVINCIAL STANDARD DRAWING

Apr 2022 Rev 2

**BARRIERS AND RAILINGS
STEEL BEAM
GUIDE RAIL AND CHANNEL ANCHORAGE**

OPSD 3419.100

