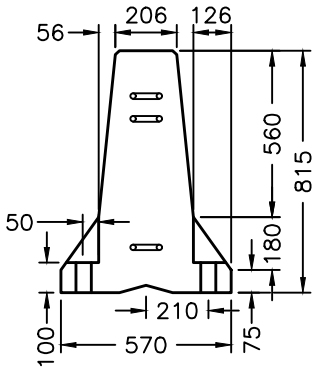
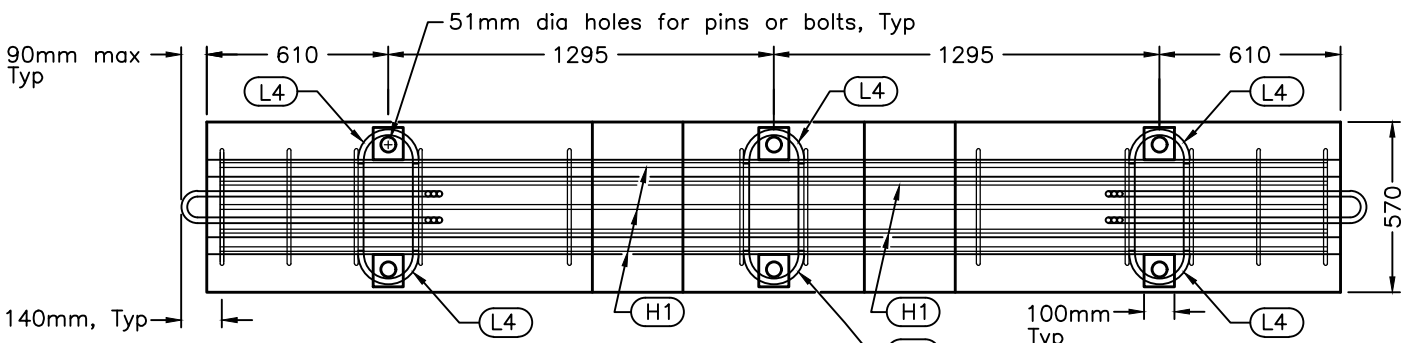


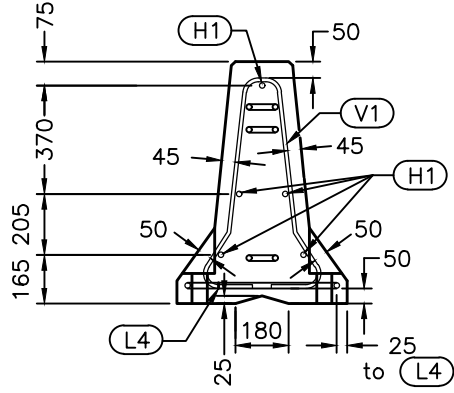
ELEVATION



SECTION A-A



PLAN



SECTION B-B

- NOTES:**
- A This OPSD shall be read in conjunction with OPSD 911.161.
 - B System configuration meets AASHTO MASH TL-3.
 - C All concrete edges shall have 15 x 45° chamfers.
 - D Welding of reinforcement bars shall be according to CSA W186.
 - E All dimensions are in millimetres unless otherwise shown.

ONTARIO PROVINCIAL STANDARD DRAWING GUIDE RAIL SYSTEM, CONCRETE BARRIER TYPE M CONNECTION INSTALLATION – TEMPORARY 1	Nov 2021 Rev 1	
OPSD 911.160		