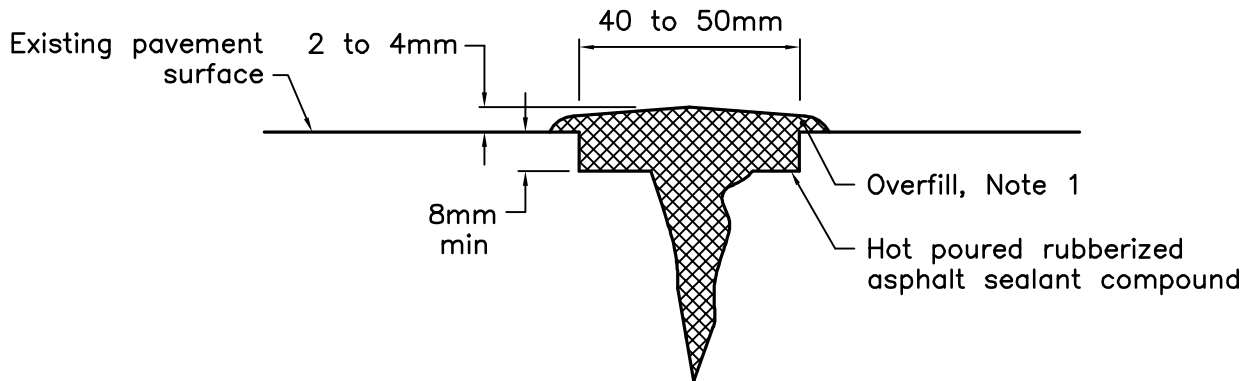
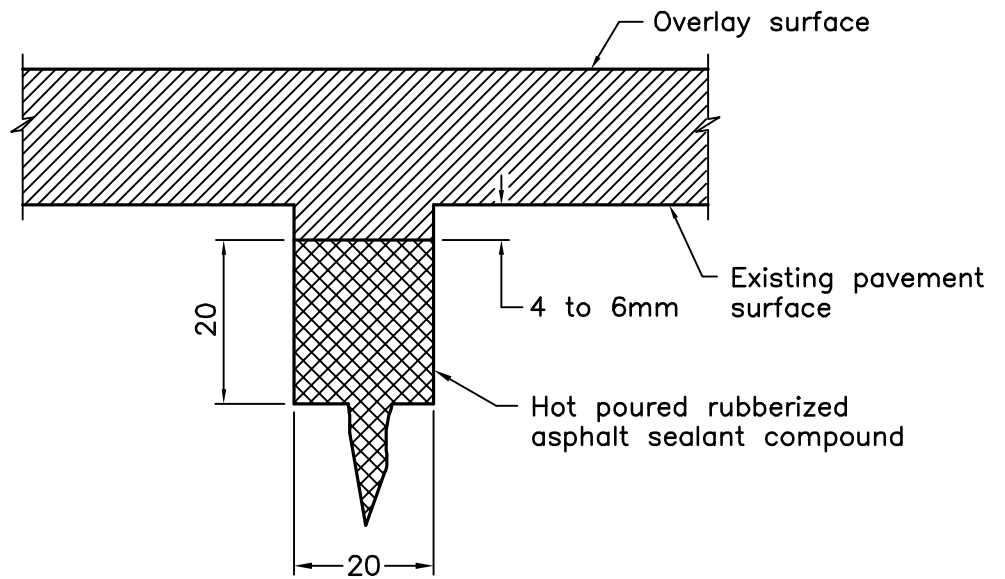


FLUSH FILL OF CRACKS WITHOUT OVERLAY




OVERFILL OF CRACKS WITHOUT OVERLAY



CRACKS WITH ASPHALT OVERLAY

NOTE:

- 1 Final overfill geometry after cooling of sealant material.
- A All dimensions are in millimetres unless otherwise shown.

ONTARIO PROVINCIAL STANDARD DRAWING	Nov 2015	Rev 2	
ROUTING AND SEALING CRACKS UP TO 20mm IN WIDTH IN ASPHALT PAVEMENT	----- -----		
OPSD 508.010			