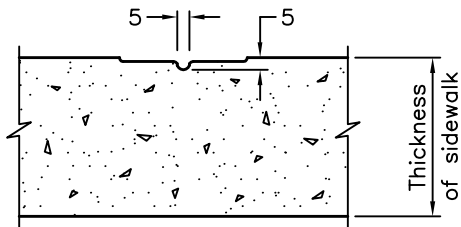
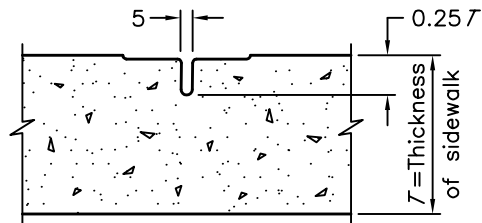


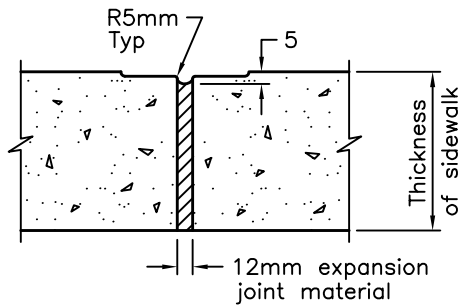
**TYPICAL SECTION**



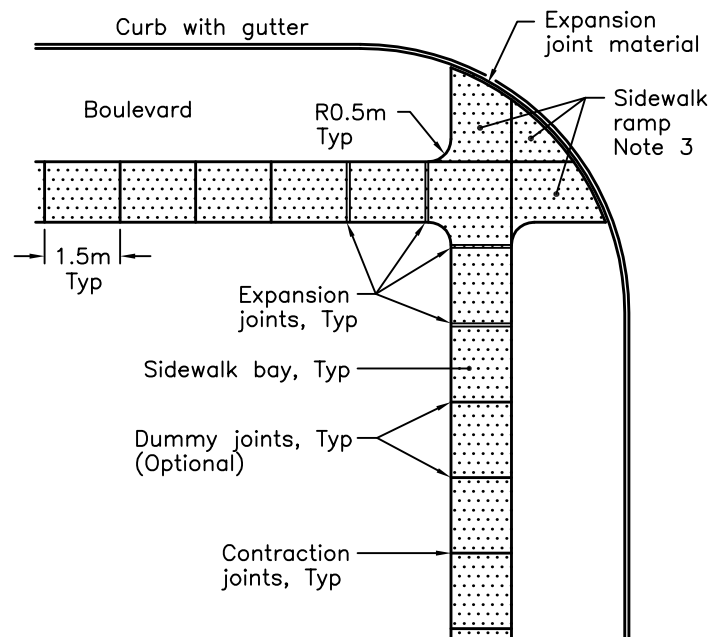
**DUMMY JOINT (OPTIONAL)**



**CONTRACTION JOINT (Note 4)**



**EXPANSION JOINT**



**JOINT LAYOUT**

**NOTES:**

- 1 Sidewalk thickness at residential driveways and adjacent to curb shall be 150mm. At commercial and industrial driveways, the thickness shall be 200mm.
- 2 Sidewalk width shall be wider when specified.
- 3 This OPSD shall be read in conjunction with OPSD 310.030, 310.031, 310.033, and 310.039.
- 4 Contraction Joint may be tooled or sawcut.
- A All dimensions are in millimetres unless otherwise shown.

ONTARIO PROVINCIAL STANDARD DRAWING

Nov 2019

Rev 3

CONCRETE SIDEWALK



OPSD 310.010