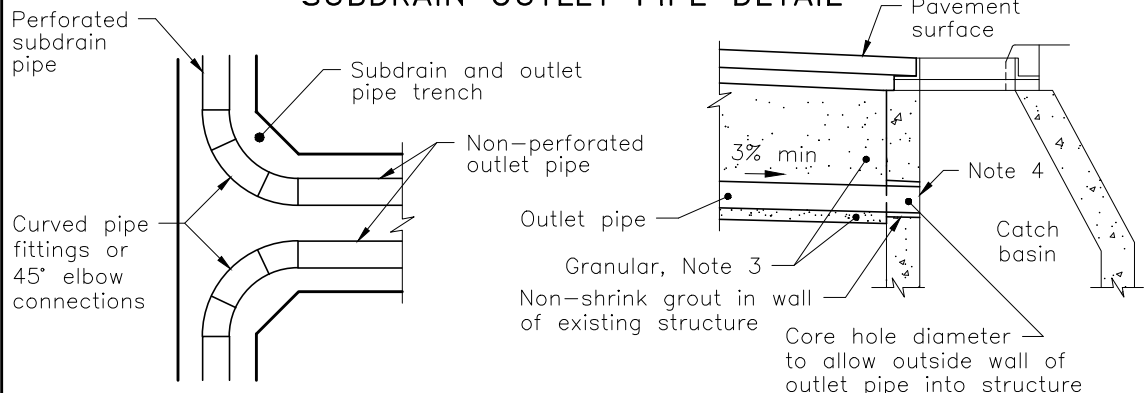


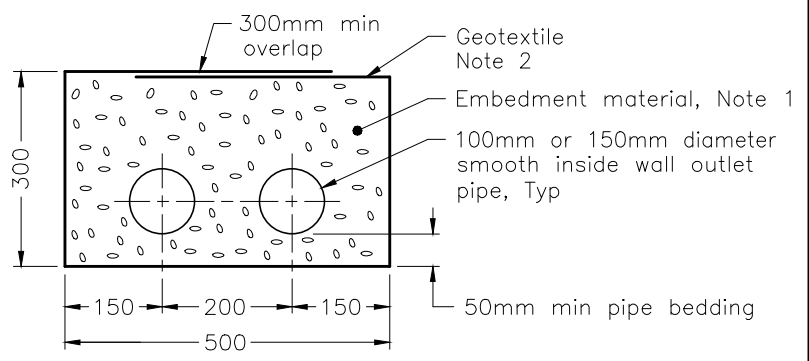
**SUBDRAIN OUTLET PIPE DETAIL**

**SINGLE OUTLET PIPE TRENCH DETAIL**



**OUTLET PIPE RUNOUT DETAIL**

**OUTLET PIPE CONNECTION TO CATCH BASIN DETAIL**



**DUAL OUTLET PIPE TRENCH DETAIL**

**NOTES:**

- 1 Embedment material shall be open graded drainage layer aggregate.
  - 2 Outlet pipe trench embedment material shall be wrapped with geotextile.
  - 3 For catch basin connections, outlet pipe trenches backfilled with granular do not require geotextile wrap.
  - 4 Install outlet pipe flush with inside face of catch basin.
- A This standard to be read in conjunction with OPSD 207.041.
- B Use compatible manufactured fittings for all connectors and couplings.
- C All dimensions are in millimetres unless otherwise shown.

**LEGEND:**

- Open graded drainage layer
- Granular
- Concrete pavement

ONTARIO PROVINCIAL STANDARD DRAWING	Nov 2023	Rev	6	
<b>SUBDRAIN PIPE CONNECTION AND OUTLET OPEN GRADED DRAINAGE LAYER</b>				
<span style="font-size: 24px; font-weight: bold;">OPSD 207.044</span>				