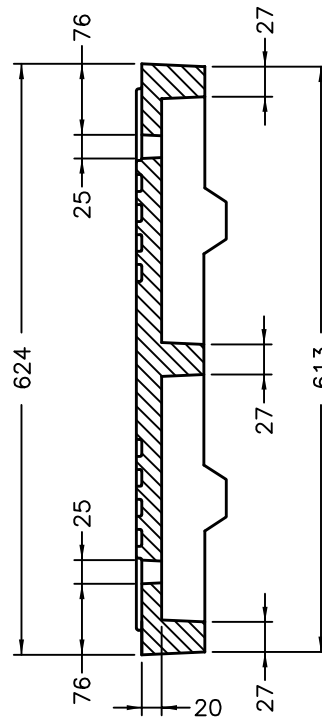
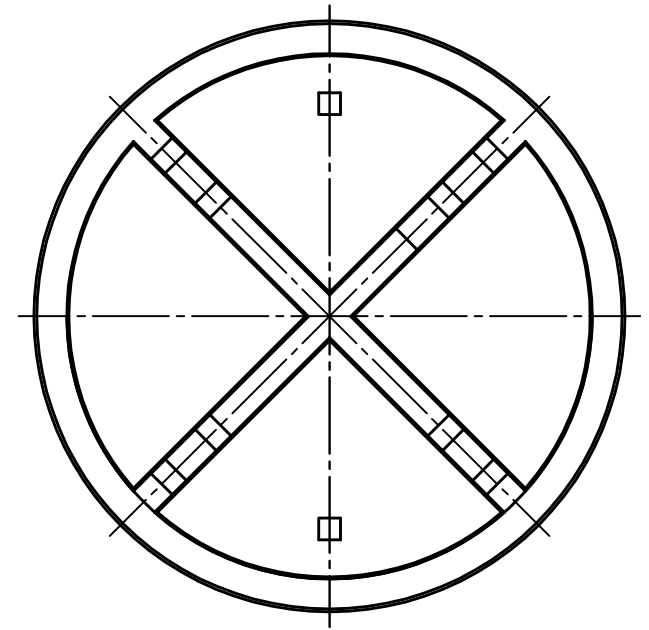


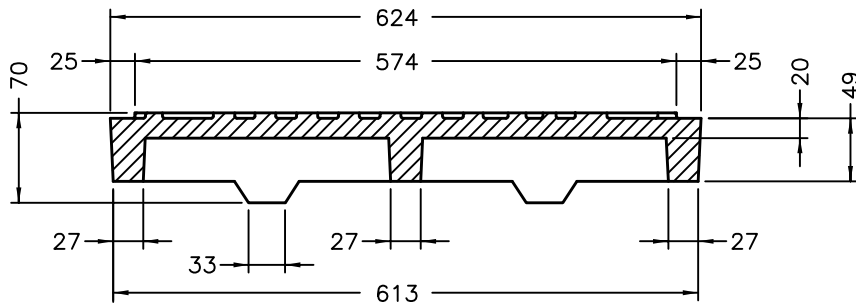
PLAN



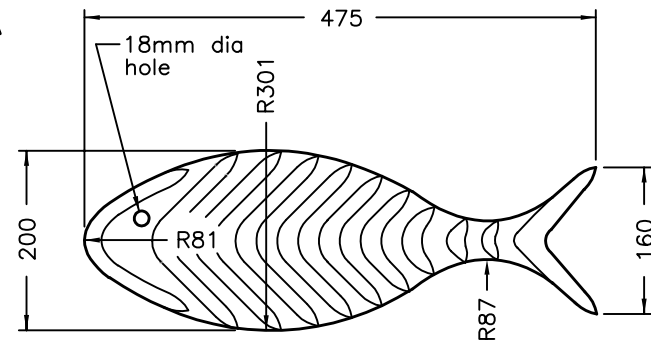
SECTION A-A



BOTTOM VIEW



SECTION B-B



FISH DETAIL

NOTE:
A All dimensions are in millimetres unless otherwise shown.

ONTARIO PROVINCIAL STANDARD DRAWING

Nov 2019

Rev 1

CAST IRON, CURB INLET
FISH TYPE COVER FOR CATCH BASINS
OUT OF ROADWAY

OPSD 401.080

