

Tapered top
See alternatives C
and D

Riser sections
as required

Transition slab
See alternative B

Riser sections
as required

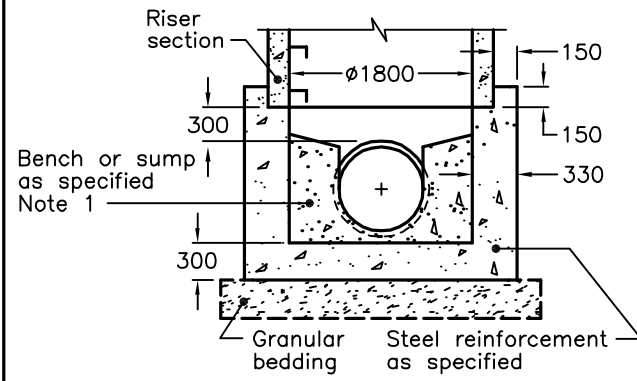
Bench or sump
as specified
Note 1

300mm
Typ

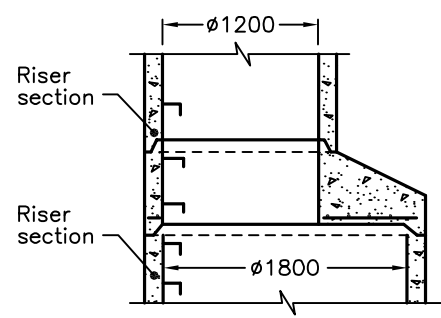
Precast slab
base
See alternative A

Granular bedding

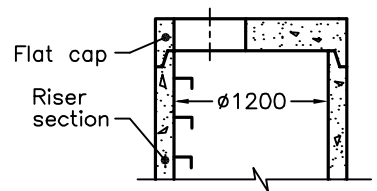
ALTERNATIVES



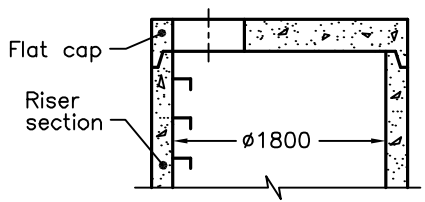
A CAST-IN-PLACE BASE



B TAPERED TRANSITION SLAB



C 1200mm PRECAST FLAT CAP



D 1800mm PRECAST FLAT CAP

NOTES:

- 1 For sump detail, see OPSD 701.010.
- A Granular backfill shall be placed to a minimum thickness of 300mm all around the maintenance hole.
- B Precast concrete components shall be according to OPSD 701.030, 701.031, 701.050, 701.051, 703.012, 703.022, and 706.020.
- C Structures exceeding 5.0m in depth shall include safety platform according to OPSD 404.020 or 404.022.
- D Pipe support shall be according to OPSD 708.020.
- E For benching and pipe opening details, see OPSD 701.021.
- F For adjustment unit and frame installation, see OPSD 704.010.
- G All dimensions are nominal.
- H All dimensions are in millimetres unless otherwise shown.

ONTARIO PROVINCIAL STANDARD DRAWING

Nov 2014 | Rev 5

**PRECAST CONCRETE
MAINTENANCE HOLE
1800mm DIAMETER**



OPSD 701.012