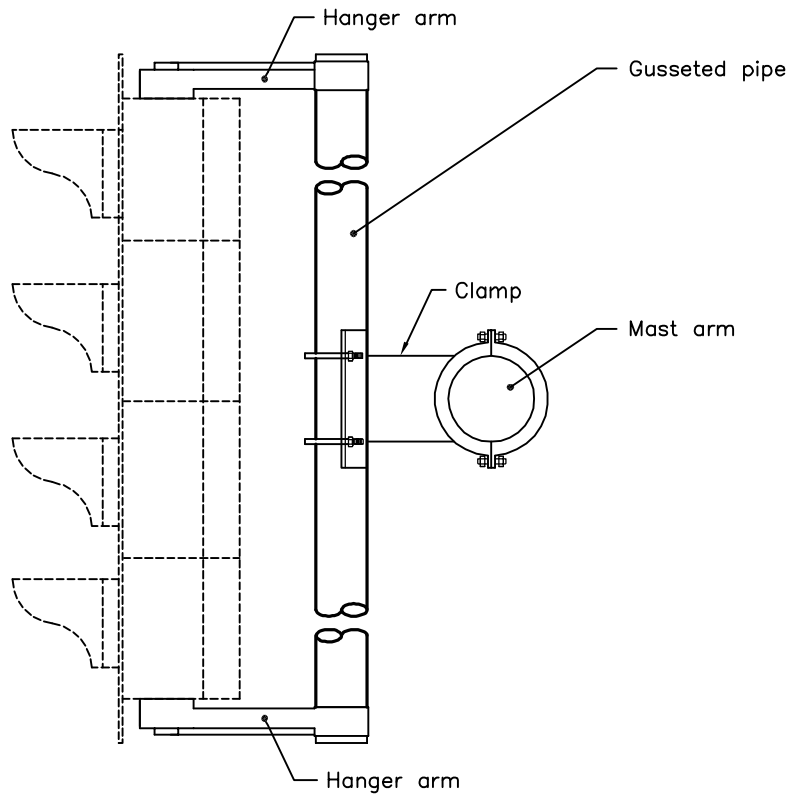


**PLAN**




**SIDE VIEW**

**NOTES:**

A All fastening hardware shall be stainless steel.

B This OPSD shall be read in conjunction with OPSD 2501.010 and 2501.020.

ONTARIO PROVINCIAL STANDARD DRAWING		Nov 2017	Rev 1	
<p style="text-align: center;"><b>TRAFFIC SIGNAL</b> DUAL-END HANGER</p>		-----		
		-----		
		<b>OPSD 2502.011</b>		