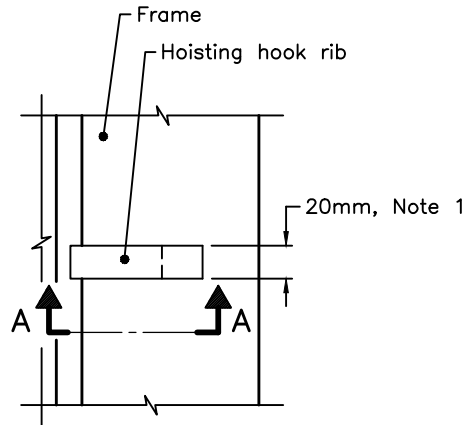
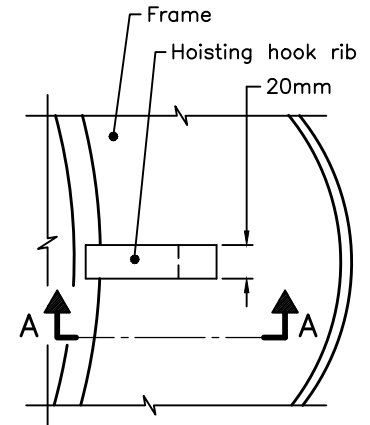


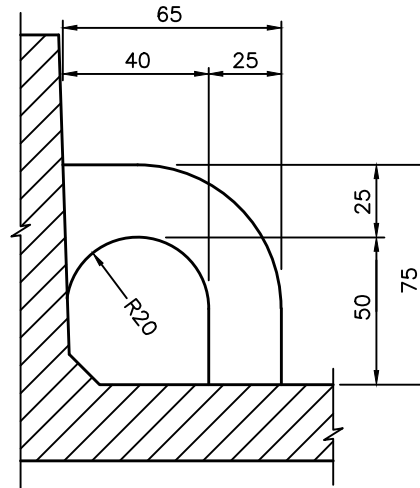
**SQUARE FRAME PLAN
SQUARE CORNER**



**SQUARE FRAME PLAN
MID-SECTION**



**SQUARE FRAME PLAN
ROUND CORNER**



SECTION A-A

NOTES:

- 1 For OPSD 402.030, the hoisting hook rib thickness shall be 29mm.
- A All dimensions are in millimetres unless otherwise shown.

ONTARIO PROVINCIAL STANDARD DRAWING

Nov 2018 Rev 2

**HOISTING HOOK RIB FOR CAST IRON FRAMES
FOR CATCH BASINS, MAINTENANCE HOLES,
AND VALVE CHAMBERS**



OPSD 400.001