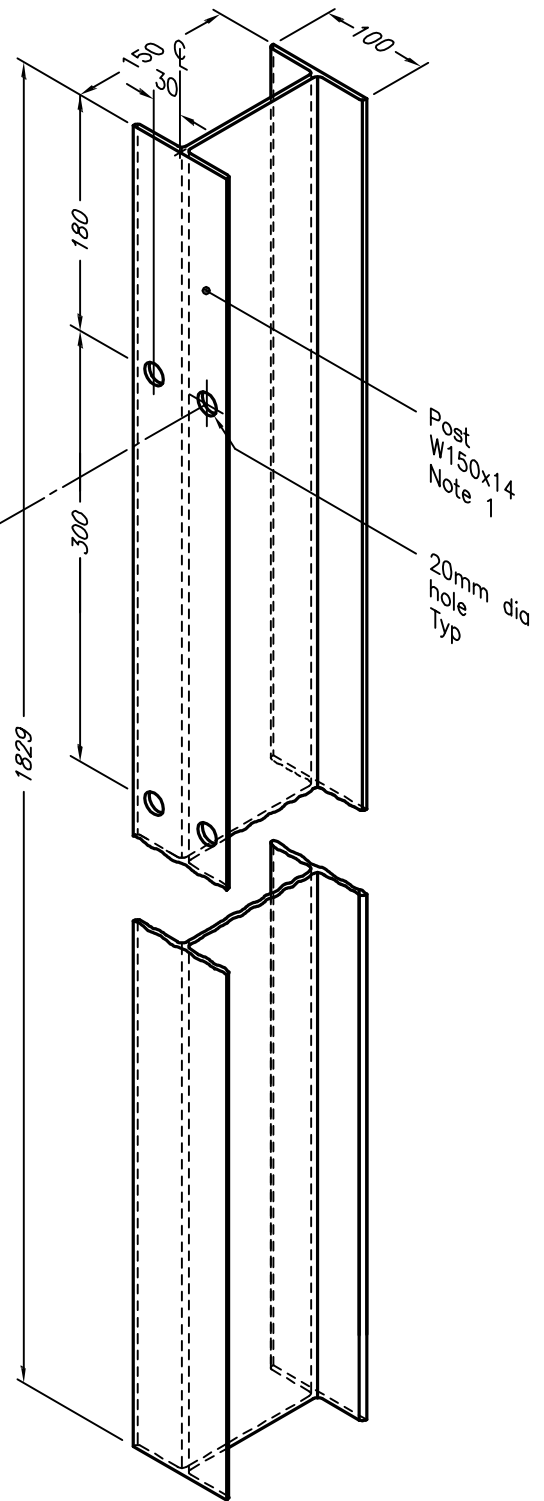


ROUTED WOODEN OFFSET BLOCK




POST DETAIL

NOTES:

1 Imperial size steel sections W6x9 and W6x8.5 are acceptable.

A All dimensions are in millimetres unless otherwise shown.

ONTARIO PROVINCIAL STANDARD DRAWING	Nov 2016	Rev 3	
GUIDE RAIL SYSTEM, STEEL BEAM STEEL POST WITH WOODEN OFFSET BLOCK COMPONENT	<p>-----</p> <p>-----</p>		
OPSD 912.104			