

SIGN SUPPORT REQUIREMENTS
Note 2

Max. Sign Dimensions		Max. Sign Area	Upper Post
B cm	H cm	A m ²	kg/m
180 to 240	75	1.58	2.61
	150	2.92	4.46

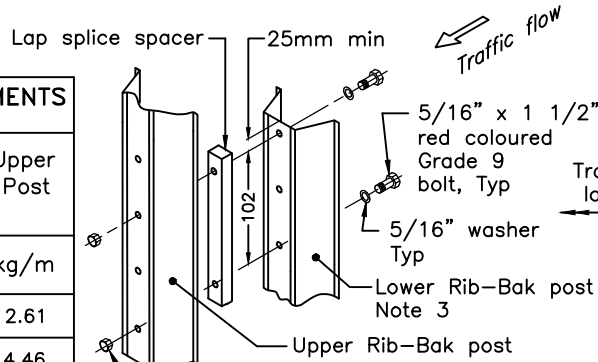
3/8" dia nut and lock washer or 5/16" dia nut, flat and lock washer

Upper Rib-Bak post
Sign Note 2

Steel flat washer on top of nylon washer, Typ

SIGN ASSEMBLY

SECTION A-A

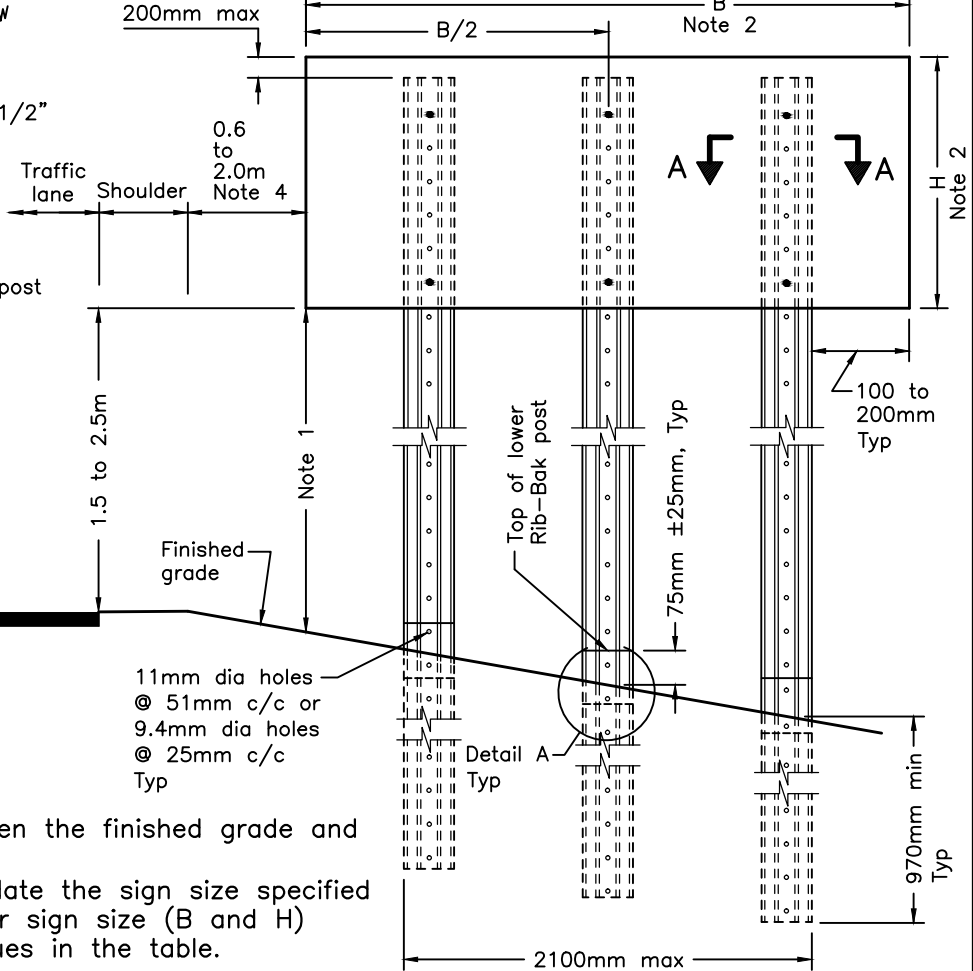


5/16" red coloured Grade 9 self-locking flange nut, Typ

DETAIL A

Sign spacer Type A or B

3/8" dia, 3 1/2" long Grade 5 or 5/16" dia, 2 3/4" long Grade 9 fully threaded bolt



11mm dia holes @ 51mm c/c or 9.4mm dia holes @ 25mm c/c Typ

Top of lower Rib-Bak post

Detail A Typ

FRONT

NOTES:

- 1 Minimum vertical clearance of 2.1m shall be provided between the finished grade and the bottom of the lowest sign or tab.
- 2 The upper post size (kg/m) shall be selected to accommodate the sign size specified in the Contract Documents so that maximum dimensions for sign size (B and H) and total sign area (A) including tabs shall not exceed values in the table.
- 3 Lower Rib-Bak post shall be 4.46 kg/m x 1.07m long.
- 4 When curb is present, minimum 0.3m from face of curb. When guide rail is present, minimum 1.0m behind face of guide rail.
- A The system depicted on this OPSD is a propriety system and shall be installed according to manufacturer's specifications.
- B This OPSD shall be read in conjunction with OPSD 987.101.
- C System configuration meets NCHRP Report 350 TL-3.
- D All dimensions are in millimetres unless otherwise shown.

ONTARIO PROVINCIAL STANDARD DRAWING

Apr 2019 Rev 1

**SMALL SIGN SUPPORT SYSTEM
LAP SPLICE RIB-BAK BREAKAWAY SYSTEM
INSTALLATION-TRIPLE POST ASSEMBLY**



OPSD 987.310